

# PV module

## Installation Instructions



- READ THIS INSTALLATION INSTRUCTION IN THIS ENTIRETY BEFORE INSTALLING, WIRING OR USING THIS PRODUCTION IN ANY WAY.
- LESEN SIE DIESE INSTALLATIONSANWEISUNG VOLLSTÄNDIG DURCH, EHE SIE DAS PRODUKT INSTALLIEREN, ANSCHLIESSEN ODER SONST WIE VERWENDEN.
- SI RACCOMANDA DI LEGGERE COMPLETAMENTE QUESTE ISTRUZIONI PRIMA DI INSTALLARE, CABLARE O UTILIZZARE IN QUALSIASI MODO IL PRODOTTO
- VEUILLEZ LIRE CES INSTRUCTIONS D'INSTALLATION DANS LEUR INTÉGRALITÉ AVANT L'INSTALLATION, LE CÂBLAGE OU L'UTILISATION DE CE PRODUIT
- LEA ESTAS INSTRUCCIONES DE INSTALACIÓN EN SU TOTALIDAD ANTES DE INSTALAR, CABLEAR O USAR ESTE PRODUCTO DE CUALQUIER FORMA

inspire the world, create the future

**SAMSUNG**

# introduction (english)

---

This manual contains important installation, maintenance and safety information. The word "module" as used in this manual refers to one or more photovoltaic modules.

Please retain this manual for future reference.



## **IMPORTANT!**

Please read this sheet in its ENTIRETY before installing, wiring or using this product in any way.

**Failure to comply with these instructions will invalidate the Samsung Limited Warranty for PV Modules.**

## **DISCLAIMER OF LIABILITY**

---

Samsung accepts no liability for the usability and functionality of its solar modules if the instructions in this guide are not followed. Since compliance with this guide and the conditions and methods of installation, operation, use and maintenance of the modules are not checked or monitored by Samsung; Samsung accepts no liability for damage arising from improper use or incorrect installation, operation, use or maintenance.

The information in this manual is believed to be reliable, but does not constitute an expressed and/or implied warranty.



As part of Samsung's policy of continuous improvement, Samsung reserves the right to change product specifications at any time without prior notice.

# einleitung (deutsch)

---

Dieses Handbuch enthält wichtige Informationen für Installation, Wartung und Sicherheit. Der in diesem Handbuch verwendete Begriff „Modul“ bezeichnet eines oder mehrere der Solarmodule. Bewahren Sie diese Bedienungsanleitung zum späteren Nachschlagen auf.



## **WICHTIG!**

Lesen Sie diese Information VOLLSTÄNDIG, ehe Sie das Produkt installieren, anschließen oder sonst wie verwenden.

**Bei Nichtbeachtung dieser Anweisungen entfällt die Samsung-Garantie für die PV-Module.**

## **HAFTUNGSAUSSCHLUSS**

---

Samsung übernimmt keine Haftung für die Verwendbarkeit und Funktionstüchtigkeit ihrer Solarmodule, wenn die Anweisungen in diesem Handbuch nicht befolgt wurden. Die Einhaltung dieses Handbuchs und der Bedingungen und Methoden für Installation, Betrieb, Verwendung und Wartung der Module wird von Samsung weder geprüft noch überwacht. Samsung übernimmt keine Haftung für Schäden, die sich aus unsachgemäßer Verwendung oder Fehlern bei Installation, Betrieb, Verwendung oder Wartung ergeben.

Die Informationen in diesem Handbuch sind nach bestem Wissen richtig, daraus ist aber keine vertragliche oder gesetzliche Garantie abzuleiten.



In Rahmen von Samsungs Politik ständiger Verbesserung behält sich das Unternehmen das Recht vor, die technischen Daten des Produkts ohne vorherige Kündigung jederzeit zu ändern.

# introduzione (italiano)

---

Questo manuale contiene informazioni importanti sull'installazione, la manutenzione e la sicurezza. In questo manuale, il termine "modulo" viene utilizzato con riferimento a uno o più moduli fotovoltaici. Conservare questo manuale per futuri riferimenti.



## **IMPORTANTE!**

Leggere **COMPLETAMENTE** questo manuale prima di installare, cablare o utilizzare in qualsiasi modo il prodotto.

**La mancata osservanza di queste istruzioni comporta l'annullamento della garanzia limitata di Samsung per i moduli FV.**

## **ESCLUSIONE DI RESPONSABILITÀ**

---

In caso di mancata osservanza delle istruzioni fornite in questo manuale, Samsung declina ogni responsabilità in merito all'idoneità all'uso e al funzionamento dei suoi moduli solari. Poiché la conformità con le istruzioni fornite in questa guida, le condizioni e i metodi di installazione, di funzionamento, di utilizzo e di manutenzione dei moduli non vengono verificate e monitorate da Samsung, Samsung declina ogni responsabilità per danni dovuti a uso improprio o errata installazione, funzionamento, utilizzo o manutenzione del prodotto.

Le informazioni fornite in questo manuale sono ritenute affidabili, ma non costituiscono alcuna garanzia implicita e/o esplicita.



In virtù della sua politica di costante miglioramento dei prodotti, Samsung si riserva il diritto di modificare le specifiche del prodotto in qualsiasi momento senza preavviso.

# introduction (français)

---

Le présent manuel comporte des informations importantes relatives à la sécurité, l'entretien et l'installation du produit. Le mot « module » y est utilisé pour désigner un ou plusieurs modules photovoltaïques.

Veillez conserver ce manuel pour référence ultérieure.



## **IMPORTANT!**

Veillez lire cette fiche dans son **INTÉGRALITÉ** avant l'installation, le câblage ou l'utilisation de ce produit.

**Le non-respect de ces instructions annule la garantie limitée Samsung pour les modules photovoltaïques.**

## **CLAUSE DE NON-RESPONSABILITÉ**

---

En cas de non-respect des instructions du présent manuel, Samsung décline toute responsabilité quant au fonctionnement des modules photovoltaïques. Les conditions et les méthodes d'installation, d'utilisation et d'entretien, tout comme le respect des instructions du présent manuel ne sont pas contrôlés par Samsung. Les dommages dus à une utilisation non conforme, ou à une installation ou un entretien incorrects n'engagent en aucun cas la responsabilité de Samsung.

Les informations du présent manuel sont fiables, mais ne constituent en aucun cas une garantie explicite et/ou implicite.



Dans le cadre de la politique d'amélioration continue de ses produits, Samsung se réserve le droit de modifier les spécifications du produit sans préavis.

# introducción (español)

---

Este manual contiene información importante sobre la instalación, el mantenimiento y la seguridad. La palabra “módulo” utilizada en este manual se refiere a uno o más módulos fotovoltaicos. Conserve este manual para consultas futuras.



## **IMPORTANTE**

Lea estas instrucciones EN SU TOTALIDAD antes de instalar, cablear o usar este producto de cualquier forma. **Si no se siguen estas instrucciones quedará invalidada la garantía limitada de Samsung de los módulos fotovoltaicos.**

## **DESCARGO DE RESPONSABILIDAD**

---

Samsung no acepta ninguna responsabilidad por el uso y la funcionalidad de sus módulos solares, si no se siguen las instrucciones de esta guía. Dado que Samsung no comprueba ni supervisa el cumplimiento de esta guía ni las condiciones y métodos de instalación, funcionamiento, uso y mantenimiento de los módulos, Samsung no acepta ninguna responsabilidad derivada de los daños por uso inapropiado, falta de seguimiento de las instrucciones de instalación ni por un mantenimiento, uso o funcionamiento incorrectos.


La información de este manual se considera fiable, pero no conforma una garantía expresa ni implícita.



Conforme a la política de Samsung por una mejora continua, Samsung se reserva el derecho de cambiar las especificaciones del producto en cualquier momento sin aviso previo.

# specifications

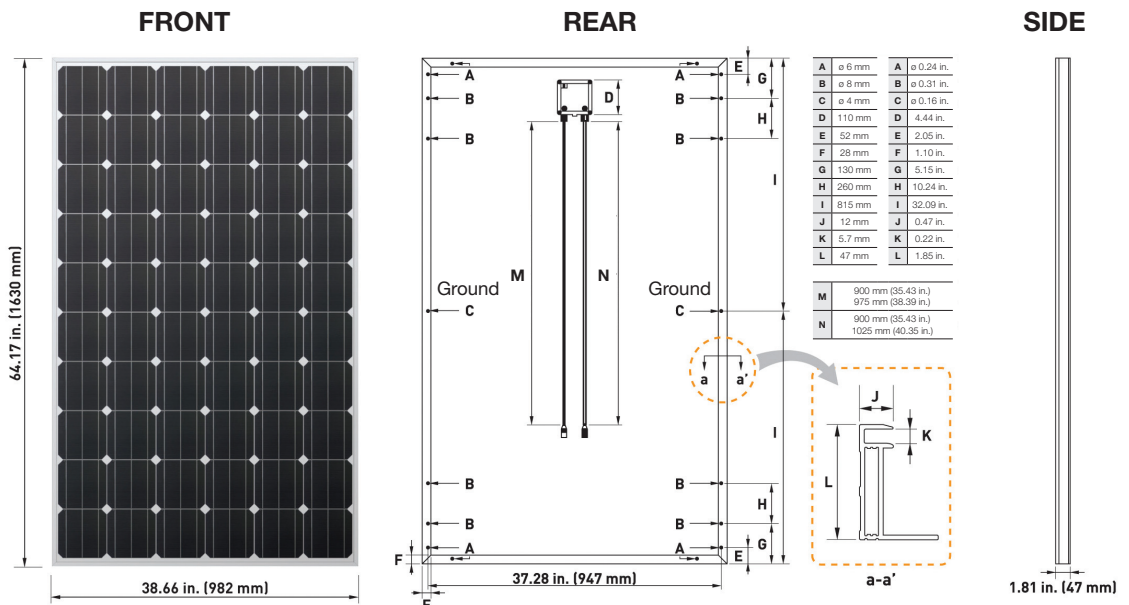
		LPC235S	LPC238S	LPC241S	LPC244S	LPC247S	LPC250S
<b>Performance at Standard Test Conditions (STC) : Irradiance 1000W/m<sup>2</sup>, AM 1.5, and cell temperature 25°C</b>							
Maximum power	P <sub>max</sub> (Wp)	235	238	241	244	247	250
Maximum power voltage	V <sub>mp</sub> (V)	29.9	30.0	30.1	30.3	30.4	30.5
Maximum power current	I <sub>mp</sub> (A)	7.88	7.94	8.01	8.07	8.14	8.20
Open circuit voltage	V <sub>oc</sub> (V)	37.2	37.3	37.4	37.5	37.6	37.6
Short circuit current	I <sub>sc</sub> (A)	8.47	8.51	8.54	8.58	8.62	8.66
Module efficiency		14.68%	14.87%	15.06%	15.24%	15.43%	15.62%
<b>Performance at Nominal Operating Cell Temperature (NOCT) : Irradiance 800 W/m<sup>2</sup>, NOCT, AM 1.5</b>							
Maximum power	P <sub>max</sub> (Wp)	188	190	194	196	198	200
Maximum power voltage	V <sub>mp</sub> (V)	30.4	30.2	30.3	30.4	30.5	30.9
Maximum power current	I <sub>mp</sub> (A)	6.21	6.31	6.43	6.48	6.49	6.51
Open circuit voltage	V <sub>oc</sub> (V)	37.2	37.3	37.4	37.3	37.4	37.6
Short circuit current	I <sub>sc</sub> (A)	6.65	6.66	6.84	6.88	6.89	6.90

 The rated power may only vary by -0W/+2.99W and all other electrical parameters by ± 3%

System integration parameters	
Maximum system voltage (IEC)	1,000 VDC
Maximum system voltage (UL)	600 VDC
Maximum series fuse rating	15 A
Maximum reverse current	Do not apply external voltages larger than Voc to the module
Fire Safety Classification	Class C
Certifications	IEC 61215, ICE61730, UL1703

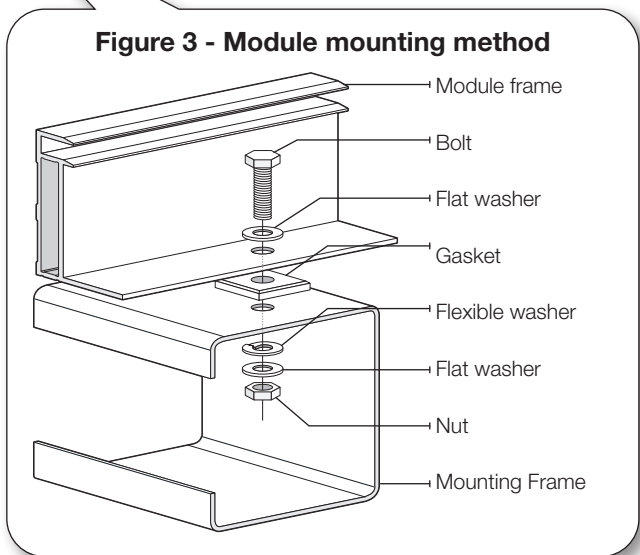
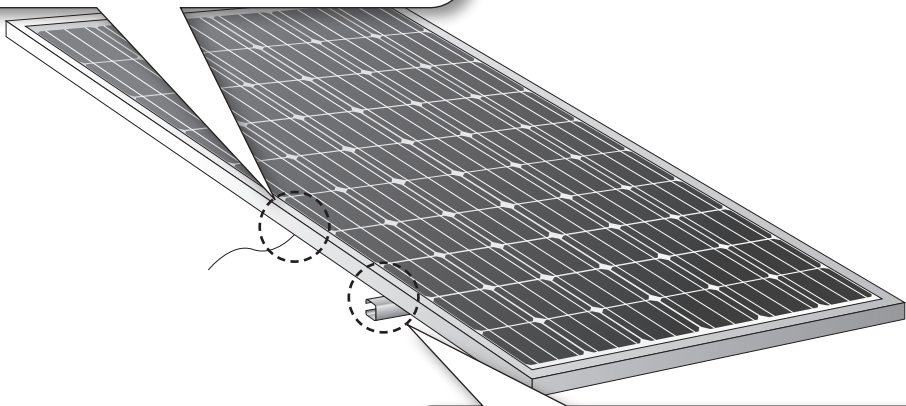
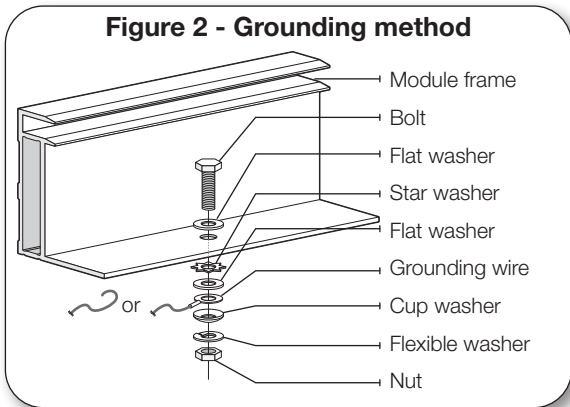
Physical characteristics	
Cells per module	60
Cell type	Mono-crystalline silicon
Module dimensions	1630x982x47mm (64.17x36.66x1.85 inch)
Module weight	18.6kg (41 lbs)
Junction box	IP65
Frame	Anodized Aluminum
Front Glass	3.2mm(0.13inches) Tempered glass

**Figure 1 - Dimension of PV Module**



# GROUNDING HARDWARE

Grounding hardware	Dimension & material	Remarks
Hexagon bolt & nut	10# stainless	Length of bolt: 30 mm
Flat washer	10# stainless	-
Flexible washer	10# stainless	-
Star washer	10# stainless	-
Cup washer	10# stainless	-
Ground Ring Terminal Ground wire	10# stainless #12 Wire	-



<b>ENGLISH</b>	8	GENERAL SAFETY INFORMATION
8	9	UNPACKING AND STORING MODULES
	9	INSTALLATION
	10	WIRING
	11	MAINTENANCE
	11	DISPOSAL CONSIDERATIONS
<b>DEUTSCH</b>	12	ALLGEMEINE SICHERHEITSHINWEISE
12	13	AUSPACKEN UND LAGERN DER MODULE
	13	INSTALLATION
	14	ELEKTROANSCHLUSS
	15	WARTUNG
	15	HINWEISE ZUR ENTSORGUNG
<b>ITALIANO</b>	16	INFORMAZIONI GENERALI SULLA SICUREZZA
16	17	DISIMBALLAGGIO E STOCCAGGIO DEI MODULI
	17	INSTALLAZIONE
	18	CABLAGGIO
	19	MANUTENZIONE
	19	SMALTIMENTO
<b>FRANÇAIS</b>	20	INFORMATIONS GÉNÉRALES RELATIVES À LA SÉCURITÉ
20	21	DÉSEMBALLAGE ET ENTREPOSAGE DES MODULES
	21	INSTALLATION
	22	CÂBLAGE
	23	ENTRETIEN
	23	MISE AU REBUT
<b>ESPAÑOL</b>	24	INFORMACIÓN GENERAL DE SEGURIDAD
24	25	DESEMBALAJE Y ALMACENAMIENTO DE LOS MÓDULOS
	25	INSTALACIÓN
	26	CABLEADO
	27	MANTENIMIENTO
	27	OBSERVACIONES SOBRE LA ELIMINACIÓN

# general safety information

---

All safety instructions in this document should be read and understood before installing this device.

Before installing modules, contact the appropriate authorities to determine permissions, installation and inspection requirements, which should be followed. Refer to applicable regional and local codes.



## **WARNING!**

Module interconnection cables pass direct current (DC) and are sources of voltage when the module is under load and when it is exposed to light.

**Direct current can arc across gaps and may cause injury or death if improper connection or disconnection is made, or if contact is made with modules that are frayed or torn.** Do not connect or disconnect modules when current from the modules or an external source is present.

**Installation should be performed only by authorized personnel.**

Installing a PV system requires specialized knowledge, especially the installation and wiring of the PV modules. This work should only be carried out by suitably qualified and authorized persons.

## **TO AVOID THE HAZARD OF ELECTRIC SPARKS, SHOCK, FIRE, BURNS, DAMAGE AND INJURY;**

---

- Children and animals should not be allowed near the installation while work is being carried out.
- Avoid electrical discharges when installing, cabling, starting-up, or performing maintenance on the module.
- A module generates electricity when it is exposed to sunlight or to other sources of light. Completely cover surface of the module with an opaque material before making or breaking electrical connections.
- Do not install or handle the modules or tools when they are wet or during periods of high wind.
- Do not install the module where there are gases or flammable vapors, as they can create sparks.
- Remove all metallic jewelry prior to installing this product to reduce the chance of accidental exposure to live circuits.
- Wear suitable clothing, guards, and gloves to prevent you from direct contact with 30 VDC or greater.
- Use insulated tools to reduce your risk of electric shock.
- There are no user serviceable parts within the module. Do not attempt to repair any part of the module.
- Do not stand on, drop, scratch, or allow object to fall on modules.
- If the front glass is broken, or the back sheet is torn, contact with any module surface or module frame can cause electric shock. Do not puncture, cut, scratch or damage the glass or back sheet of a module. Back sheet damage will void a module's Limited Warranty and may cause fire. Never use modules with a damaged back sheet.

- Broken junction-boxes and/or broken connectors are electrical hazards as well as laceration hazards. The dealer or installers should remove the module from the array and contact the supplier for disposal instructions.
- Never rest or leave a module unsupported or unsecured.
- Do not artificially concentrate sunlight on a module.
- Do not touch the junction box terminals.
- Do not change the wiring of bypass diodes.
- If batteries are used with the module, follow all recommendations indicated by the battery manufacturer for safety.
- Completely ground all modules.
- When installing on a roof, ensure that the module is attached with a mechanical fastening. The roof should have an adequate level of fire-resistance for the application.
- Contact your module supplier if maintenance is necessary.



## **CAUTIONS!**

**Use a module for its intended purpose only. Do not treat the back sheet, frame, or front surface with paint or adhesives, to avoid reducing its functionality, damage and causing inoperable conditions, and other unknown troubles.**



# unpacking and storing modules

## GENERAL

Warnings and instructions on the packaging should be observed. A record of the module serial numbers should be made before installation and this should be included in the system documentation. Samsung modules are sent in boxes that are specially designed to provide the proper protection during shipping. It is advised to not remove the modules from the boxes until installation. If it is necessary to put the modules into temporary storage, they should be kept in dry and properly ventilated room.

### Modules should be handled with care

The following points need to be observed when the modules are being unpacked, transported or stored:

- Wear non-slip gloves and carry a module by its frame with two or more people.
- Modules should be carried using both hands; the junction box should NOT be used as a grip.
- Modules should not be allowed to sag or bow under their own weight when being carried.
- Modules should not be subjected to loads/stresses and should not be stepped on or dropped.
- All electrical contacts should be kept clean and dry.

# installation

## MECHANICAL INSTALLATION

- Modules must be securely fastened using support frames or mounting kit specialized for PV applications.
- Modules should be firmly fixed in place in a manner suitable to withstand all expected loads, including wind and snow loads.
- Install modules where they are not shaded by obstacles like buildings and trees. Especially pay attention to avoid partially shading the modules by objects during the daytime.
- Care must be taken to avoid low tilt angles which may cause dirt to build-up on the glass against the frame edge.
- Clearance between the roof surface and module frame is required to allow cooling air to circulate around the back of the module. This also allows any condensation or moisture to dissipate. Install modules so that air can circulate between the roof and the module. (100 mm: 4 inch gap minimum)
- In order to prevent water from entering the junction box, which could present a safety hazard, modules should not be mounted such that the front glass faces downward (e.g. on a tracking structure that positions the modules with the junction box facing skyward during sleep mode).
- Great care should be exercised to ensure that corrosion caused by the grounding means be avoided.
- Metals used in locations that are exposed to moisture shall not be employed alone or in combinations that could result in deterioration or corrosion. Thus, all fasteners (nuts, bolts, washers, screws, etc.) must be stainless steel unless otherwise specified.
- Refer to the applicable regional and local codes on grounding PV arrays and mounting frames for specific requirements. (E.g. lightning protection). In the US the array frame shall be grounded in accordance with NEC Article 250.

- Length of self-tapping screw or bolt should not be more than 0.78" (20 mm) in order to avoid contacting the back-sheet of the module.
- Recommendation of bolt torque range: 16N.m to 20N.m.
- Contact an Authorized Representative with questions regarding mounting profiles for modules if needed.

## GROUNDING

- Attach an equipment ground conductor with stainless steel hardware at one of the two designated Ø4 groundings holes on the module frame. If an equipment ground conductor larger in diameter than 5.5 mm (#10 AWG) is necessary, a grounding lay-in-lug is required when using self-drilling type screw to make the frame ground connection. Please refer to NEC Article 690 on grounding PV arrays for special requirements.
- Modules can be grounded using third-party grounding washer or clip systems provided they have been tested and certified **to local regulation** on anodized aluminum frame and are installed according to the manufacture's specified instructions.
- If the grounding method above is adopted, please choose one of the two grounding holes (Figure 2) and use the grounding hardware with appropriate tools such as a wrench, clips or others to ground the wires in accordance with the requirements imposed by the above hardware.

## MOUNTING

- Always follow the mounting equipment vendors' installation instructions in addition to these instructions. In cases where the vendors' instructions are more stringent than those of Samsung, the vendors' instruction shall apply.

## 1 - Pressure Clamps or Clips:

Mount the module with the clips on the side frame of the module. The side frames are attached to the longer sides of the module. The centerline of the clips should be 6" (152.4 mm) to 15" (381 mm) from the end of the side frame. Installers should ensure the clamps are of sufficient strength to allow for the maximum design pressure of the module.

The metal clamp must fulfill the following specifications:

Size	Thickness	Material
not less than 1.5" (38 mm) width	not less than 0.12" (3 mm)	aluminum alloy

## 2 - Frame Holes:

Secure the module to the structure using the factory mounting holes (Figure 3). Four 1/4" stainless steel bolts, with nuts washers and lock washers are recommended per module.

## ELECTRICAL INSTALLATION

- Under normal conditions, a photovoltaic module is likely to experience conditions that produce more current and/or voltage than reported at standard test conditions. Accordingly, the values of ISC and VOC marked on this module should be multiplied by a factor of 1.25 when determining component voltage ratings, conductor ampacities, fuse sizes, and size of controls connected to the PV output.
- The modules should not be configured in such way that they create a voltage higher than the permitted system voltage.

## wiring

### GENERAL

- All wiring should be done in accordance with applicable electrical codes.
- A qualified, licensed professional should do all wiring.
- Wiring should be protected to help ensure personal safety and to prevent its damage.
- All modules connected in series should be of the same model number and/or type.

### MODULE WIRING

- Check local temperature conditions and follow the National Electric Code (eg. NEC 690.7 for USA, DIN VDE 0100 Teil 712 for Germany) to ensure compliance with maximum voltage limitations.
- Modules are not designed for "off-grid" or battery charging systems, because of their operating voltage. Therefore, it is not recommended to use them to charge batteries.
- These modules contain factory installed bypass diodes. If these modules are incorrectly connected to each other, the bypass diodes, cable, or junction box may be damaged.

- National electrical codes and regulations should be strictly followed.
- PV Modules may be connected in series or parallel to achieve the desired electrical output as long as certain conditions are met. Use only the same type of modules in a combined source circuit.
- If the modules are to be connected together in series they should have the same amperage.
- If they are to be connected in parallel they should have the same voltage. String configuration should be planned and carried out in accordance with inverter manufacturer's instructions.
- The number of modules connected to an inverter should be within the inverter voltage limits/operating range and the design of the string configuration(s) should comply with the inverter's manufacturer's guidelines.
- Blocking diodes prevent current flowing from the battery to the module when no electricity is being generated. It is recommended to use blocking diodes when a charging regulator is not used.

## OPERATING CONDITIONS

All Samsung modules require that modules be operated within the following Operating Conditions:

- Terrestrial applications only – no outer space or Special Conditions (see below)
- The ambient temperature must be within -40 °C (-40 °F) to +90 °C (194 °F).
- The wind pressure load of the installation site should be less than 2400 Pascal.
- Some environmental conditions could apply. Please refer to Samsung's warranty exclusions.

### ARRAY WIRING

- The term "array" is used to describe the assembly of several modules on a support structure with associated wiring.
- Samsung recommends that all wiring be double insulated with a minimum rating of 90 °C (194 °F). All wiring should use flexible copper (Cu) conductors. The minimum size should be determined by the applicable codes.
- PV Modules may be wired in series to produce the desired voltage output. Do not exceed the maximum system voltage.
- PV Modules may be wired in parallel to produce the desired current output. Refer to the applicable regional and local codes for additional fusing requirements and limitations on the maximum number of PV Modules in parallel.

## MODULE TERMINATIONS

- A junction box as a terminal enclosure is equipped for electrical connections.

## JUNCTION BOX AND TERMINALS

- The junction boxes of the modules are in the back of the modules.
- Each module is equipped with one junction box containing terminals for both positive and negative polarity, and bypass diodes.
- The polarity should be respected in the connections to ensure the correct operation of the modules with the polarity symbols engraved onto the body of the junction box.

## DIODES

- The shading of a cell can cause it to have reserve voltage. This cell will therefore consume the power generated by the others cells in the series, producing an undesired heating of the shaded cell.

- A hot spot effect is existent when a solar cell within a module generates less current than the string current of the module or of the PV generator. This occurs when the cell is totally or partially shaded, damaged, or when cells are electrically mismatched. The shaded cell becomes reverse biased and dissipates power in the form of heat.
- The use of protection, or bypass, diodes reduces the risk of heating of the shaded cells, limiting the current that can circulate through them and thereby avoiding breaks.
- All modules are equipped with factory installed bypass diodes. These diodes provide proper circuit protection for the systems within the specified system voltage, so that you do not need any other additional bypass diodes.
- Contact your Samsung Authorized Representative for proper diode type, if it is necessary to add or change diodes due to system specifications.

## maintenance

If you need electrical or mechanical inspection or maintenance, it is recommended to have a licensed authorized professional carry out the inspection or maintenance to avoid the hazards of electric shock or injury.

### MAINTENANCE COVERS THE FOLLOWING PROCESSES:

- Periodic cleaning of the module
- Visual inspection of possible internal deterioration of the water-tightness of the module
- Control of the state of the electrical connections and wiring
- Eventually, control of the electrical characteristics of the module

### PERIODIC CLEANING OF THE MODULE

- Dirt on the module surfaces causes cell shading and can lead to reduced power output.
- It is recommended to clean the surface of the module with water and a soft cloth or sponge, twice or more per year.
- Under no circumstances should dirt be scraped or rubbed off the modules when dry, as this can cause micro-scratches on the surface of the modules and reduce the transparency of the module glass. Instead, a mild non-abrasive detergent may be applied for persistent dirt.

### VISUAL INSPECTION OF THE MODULE

- Possible breaks in the glass
- All fasteners are secure, tight and free of corrosion.
- All electrical connections are secure, tight, clean, and free of corrosion
- The mechanical integrity of the cables is intact.
- All bonding points to Earth Ground are tight, secure, and free of corrosion to ensure continuity between the modules and ground.

### CONNECTION AND WIRING CONTROL

- Electrical and mechanical connections should be preventively inspected every 6 month
- Check the fastening and state of the module's terminals of the connection cables
- Check the water-tightness of the terminal box

## disposal considerations

This product must be disposed of in accordance with all relevant local, state and federal laws and regulations. It is the responsibility of the customer to ensure that his product is disposed of properly.

Please contact your local Samsung representative concerning the proper disposal of this product.



**The return of any modules will not be accepted by Samsung unless prior written authorization has been given by Samsung.**

# allgemeine sicherheitshinweise

Lesen Sie alle Sicherheitshinweise in diesem Dokument gründlich durch, ehe Sie das Produkt installieren.

Die Installation eines PV-Systems erfordert Fachwissen, und zwar insbesondere die Installation und der elektrische Anschluss der PV-Module. Diese Arbeit darf nur von ausreichend qualifiziertem und dazu berechtigten Personen ausgeführt werden.



## GEFAHR!

Die Modulverbindungskabel führen Gleichstrom und sind Spannungsquellen, wenn das Modul unter Last steht und Licht ausgesetzt ist. **Bei Gleichstrom kann es zu Lichtbögenbrücken und Verletzungen oder zum Tod kommen, wenn Stromanschlüsse unsachgemäß hergestellt bzw. getrennt werden oder wenn durchgescheuerte oder gerissene Module berührt werden.** Verbinden und trennen Sie keine Module, wenn Strom aus den Modulen oder einer externen Quelle anliegt. **Die Installation darf nur von dazu berechtigten Personen durchgeführt werden.**

Vor der Installation von Modulen wenden Sie sich an die zuständigen Behörden, um zu erfahren, welche Genehmigungen sowie Installations- und Inspektionsanforderungen zu erfüllen sind. Beachten Sie die regionalen und örtlichen Vorschriften.

## VERHINDERN DER GEFAHR VON ELEKTROFUNKEN, STROMSCHLAG, FEUER, VERBRENNUNGEN, SCHÄDEN UND VERLETZUNGEN

- Während die Arbeiten ausgeführt werden, dürfen Kinder und Tiere nicht in die Nähe der Installation kommen.
- Vermeiden Sie elektrische Entladungen, wenn Sie das Modul installieren, schalten, in Betrieb nehmen oder Wartungsarbeiten daran vornehmen.
- Ein Modul erzeugt Strom, wenn es dem Sonnenlicht oder anderen Lichtquellen ausgesetzt wird. Bedecken Sie die Oberfläche des Moduls vor dem Herstellen oder Trennen elektrischer Verbindungen vollständig mit einem lichtundurchlässigen Material.
- Installieren und transportieren Sie die Module und Werkzeuge nicht, wenn sie nass sind oder wenn starker Wind herrscht.
- Installieren Sie das Modul nicht an Stellen mit Gasen oder leicht entzündlichen Dämpfen, da dadurch Funken gebildet werden können.
- Nehmen Sie metallhaltigen Schmuck ab, ehe Sie dieses Produkt installieren, weil dadurch die Gefahr von versehentlichem Kontakt mit Strom führenden Teilen reduziert wird.
- Tragen Sie geeignete Kleidung, Schutzvorrichtungen und Handschuhe, um sich vor direktem Kontakt mit 30 V= oder mehr zu schützen.
- Verwenden Sie isolierte Werkzeuge, um die Gefahr des elektrischen Schlags zu reduzieren.
- Es gibt im Modul keine Teile, die vom Benutzer gewartet werden dürfen. Versuchen Sie nicht, irgendwelche Teile des Moduls zu reparieren.
- Stellen Sie sich nicht auf Module, lassen Sie keine Gegenstände darauf fallen und achten Sie darauf, dass sie nicht zerkratzen.

- Wenn das Frontglas bricht oder die Rückwandbeschichtung zerrissen ist, kann die Berührung einer Moduloberfläche oder eines Modulrahmens einen Stromschlag verursachen. Durchbohren, schneiden, zerkratzen und beschädigen Sie das Glas und die Rückwandbeschichtung des Moduls nicht. Bei Beschädigung der Rückwandbeschichtung entfällt die Garantie des Moduls und ein Brand kann verursacht werden. Verwenden Sie niemals Module mit beschädigter Rückwandbeschichtung.
- Zerbrochene Anschlusskästen und/oder Anschlüsse bergen nicht nur die Gefahr eines Stromschlags sondern von Kratzwunden. Der Händler oder der Installateur muss das beschädigte Modul aus dem PV-Feld entfernen und sich für Entsorgungshinweise an den Lieferanten wenden.
- Lassen Sie Module niemals ohne Stütze oder Absicherung herumstehen.
- Konzentrieren Sie das Sonnenlicht nicht künstlich auf Modulen.
- Berühren Sie nicht die Klemmen am Anschlusskasten.
- Verändern Sie nicht die elektrischen Schaltungen von Bypassdioden.
- Wenn in Verbindung mit dem Modul Batterien verwendet werden, befolgen Sie zu Ihrer Sicherheit alle Sicherheitshinweise des Batterieherstellers.
- Erden Sie völlig alle Module.
- Achten Sie beim Installieren auf einem Dach darauf, dass das Modul mit einer mechanischen Halterung verbunden ist. Das Dach muss einen für diese Anwendung angemessenen Feuerwiderstand aufweisen.
- Wenden Sie sich nötigenfalls an den Lieferanten Ihres Moduls.



## WARNHINWEISE!

**Verwenden Sie Module nur für ihren Einsatzzweck. Behandeln Sie die Rückwandbeschichtung, den Rahmen und die Frontoberfläche nicht mit Lack oder Klebstoffen, damit das Produkt nicht seine Funktion verliert, beschädigt oder unbenutzbar wird oder andere unvorhersehbare Probleme auftreten.**

# auspacken und lagern der module

## ALLGEMEIN

Die Warnungen und Anweisungen auf der Verpackung sind zu befolgen. Notieren Sie vor der Installation die Seriennummern der Module in der Systemdokumentation. Samsung-Module werden in Kisten geliefert, die besonders dafür ausgelegt sind, beim Transport für ausreichenden Schutz zu sorgen. Es wird angeraten, die Module bis zur Installation nicht aus den Boxen zu nehmen. Wenn die Module vorübergehend gelagert werden müssen, bewahren Sie sie an einem trockenen und gut belüfteten Platz auf.

### Behandeln Sie die Module mit Vorsicht

Beachten Sie die folgenden Punkte, wenn Sie die Module auspacken, transportieren oder lagern:

- Tragen Sie rutschsichere Handschuhe und fassen Sie die Module beim Tragen mit zwei oder mehr Personen am Rahmen an.
- Tragen Sie die Module mit beiden Händen und verwenden Sie den Anschlusskasten NICHT als Griff.
- Die Module dürfen sich beim Tragen nicht unter ihrem Eigengewicht verdrehen oder durchbiegen.
- Die Module dürfen keinen Lasten ausgesetzt werden und Sie dürfen nicht darauf treten oder fallen gelassen werden.
- Alle elektrischen Kontakte müssen sauber und trocken gehalten werden.

## installation

### AUFBAU

- Die Module müssen mit Hilfe von Tragrahmen oder einem Montagesatz speziell für PV-Anwendungen sicher befestigt werden.
- Die Module müssen am Einbaort sicher fixiert werden, damit sie allen erwarteten Belastungen einschließlich Wind- und Schneelasten standhalten können.
- Bringen Sie Module an Stellen an, wo sie nicht durch Hindernisse wie Gebäude und Bäume verschattet werden. Achten Sie besonders darauf, dass der Schatten von Objekten während des Tages nicht auf die Module trifft.
- Achten Sie sorgfältig darauf, dass keine niedrigen Kippwinkel vorhanden sind, damit sich auf dem Glas und an der Rahmenseite kein Schmutz ablagern kann.
- Zwischen der Dachoberfläche und dem Modulrahmen muss ein Abstand bleiben, der ausreichend groß ist, damit auf der Rückseite des Moduls Kühlluft zirkulieren kann. Dadurch kann auch eventuell kondensierende Feuchtigkeit abgeführt werden. Bringen Sie Module so an, dass zwischen dem Dach und dem Modul Luft zirkulieren kann. (Mindestens 100 mm bzw. 4 Zoll)
- Wenn Wasser in den Anschlusskasten eindringt, ist Ihre Sicherheit gefährdet. Damit dies also nicht passieren kann, dürfen die Module nicht so montiert werden, dass das Frontglas nach unten weist (z.B. auf einer Nachführkonstruktion, bei der die Module im Ruhezustand so angeordnet sind, dass der Anschlusskasten nach oben gerichtet ist).
- Größte Sorgfalt ist geboten, damit durch die Erdungsvorrichtungen keine Korrosion verursacht wird.
- Wenn Metalle an Stellen verwendet werden, die der Feuchtigkeit ausgesetzt sind, so dürfen sie nicht allein oder in Metallkombinationen eingesetzt werden, durch die Beschädigungen oder Korrosion entstehen können. Deshalb müssen alle Befestigungselemente (Muttern, Bolzen, Dichtungsringe, Schrauben usw.), wenn nicht abweichend festgelegt, aus rostfreiem Stahl gefertigt sein.
- Beachten Sie die jeweiligen Anforderungen der geltenden regionalen und lokalen Vorschriften zur Erdung von PV-Feldern und zur Montage von Rahmen (z. B. hinsichtlich des Blitzschutzes). In den USA muss der Rahmen entsprechend Artikel 250 NEC geerdet werden.
- Die Länge von selbst schneidenden Schrauben oder Bolzen darf 20 mm nicht übersteigen, damit es nicht zur Berührung der Rückwandbeschichtung des Moduls kommt.
- Empfehlung zum Anzugmomentbereich der Bolzen: 16 Nm bis 20 Nm.
- Wenden Sie sich bei eventuellen Rückfragen bezüglich der Montage von Profilen an einen offiziellen Vertreter.

### ERDUNG

- Bringen Sie mit Hilfe von Beschlägen aus rostfreiem Stahl einen Erdungsleiter für die Ausrüstung an einer der beiden dafür vorgesehenen Erdungsbohrungen ( $\varnothing 4$ ) am Modulrahmen an. Wenn für die Ausrüstung ein Erdungsleiter mit einem Durchmesser von mehr als 5,5 mm (#10 AWG) benötigt wird, ist bei Verwendung einer selbst schneidenden Schraube eine Ringklemme erforderlich, um den Erdungsanschluss für den Rahmen durchzuführen. Informationen zu den speziellen Erfordernissen bei der Erdung von PV-Feldern finden Sie in Artikel 690 NEC.
- Die Module dürfen auch mit Hilfe einer Erdungsscheibe eines Drittanbieters oder mit Clipsystemen geerdet werden, sofern sie gemäß den örtlichen Bestimmungen über passivierte Aluminiumrahmen getestet und zertifiziert worden sind und entsprechend den Anweisungen des Herstellers installiert werden.
- Wenn das obige Erdungsverfahren eingesetzt wird, entscheiden Sie sich für eine der beiden Erdungsbohrungen (Abbildung 2) und verwenden Sie die angegebenen Erdungsbeschläge zusammen mit den geeigneten Werkzeugen (z. B. Schraubenschlüssel, Clips u.a.), um die Kabel gemäß den Anforderungen der obigen Beschläge zu erden.

### MONTAGE

- Befolgen Sie zusätzlich zu diesen Anweisungen auch immer die Installationsanleitung des Lieferanten Ihrer Montagevorrichtungen. Wenn die Anweisungen des Lieferanten strenger als die von Samsung sind, gelten die Anweisungen des Lieferanten.

## 1 - Druckklammern oder Clips:

Montieren Sie das Modul mit den Clips seitlich am Modulrahmen. Die seitlichen Rahmen sind an den Längsseiten des Moduls angebracht. Die Mittellinie der Clips befindet sich etwa 152,4 bis 381 mm vom Ende des seitlichen Rahmens entfernt. Der Installateur muss sicherstellen, dass die Klammern ausreichende Festigkeit besitzen, um den konstruktiven Maximaldruck des Moduls aufzunehmen.

Die Metallklammer muss die folgenden Anforderungen erfüllen:

Größe	Dicke	Material
Nicht weniger als 38 mm breit	Nicht weniger als 3 mm dick	Aluminiumlegierung

## 2 - Rahmenbohrungen:

Befestigen Sie das Modul mit Hilfe der werkseitig angebrachten Montagebohrungen an der Unterkonstruktion (Abbildung 3). Pro Modul werden vier ¼-Zoll-Bolzen aus rostfreiem Stahl, mit Unterlegscheiben und Sicherungsringen empfohlen.

## ELEKTROANSCHLUSS

- Normalerweise werden PV-Module wahrscheinlich unter Bedingungen eingesetzt, bei denen sie mehr Strom und/oder Spannung als bei den Standardtestbedingungen erzeugen. Dementsprechend sollten Sie die auf dem Modul vermerkten ISC- und VOC-Werte mit dem Faktor 1,25 multiplizieren, wenn Sie die Nennspannungen der Komponenten, die Leiterkapazitäten, Sicherungsstärken sowie die Größe der an den PV-Ausgang angeschlossenen Steuereinrichtungen bestimmen.
- Die Module dürfen keinesfalls so konfiguriert werden, dass sie eine Spannung erzeugen, die über der zulässigen Systemspannung liegt.
- Die Sicherheitsbestimmungen und Vorschriften für Elektroanlagen des jeweiligen Landes sind strikt zu befolgen.

# elektroanschluss

## ALLGEMEIN

- Die Elektroinstallation erfolgt unter Beachtung der Sicherheitsbestimmungen für Elektroanlagen des jeweiligen Landes.
- Sämtliche Elektroanschlussarbeiten sind durch qualifizierte, zugelassene Fachbetriebe durchzuführen.
- Die elektrischen Leitungen sind zu schützen, um die Sicherheit von Personen sicherzustellen und Schäden an der Anlage zu verhindern.
- Alle in Reihe angeschlossenen Module sind vom selben Modell (Modellnummer) und/oder Typ.

## MODULANSCHLUSS

- Überprüfen Sie örtlichen Temperaturen und befolgen Sie die Vorschriften der örtlichen Vorschriften und Bestimmungen für Elektroinstallationen (z. B. NEC 690.7 für die USA, DIN VDE 0100 Teil 712 für Deutschland), um die Einhaltung der Höchstspannungsgrenzen sicherzustellen.
- Die Module sind wegen ihrer Betriebsspannung nicht für Inselbetrieb oder für Batterieladesysteme ausgelegt. Deshalb wird davon abgeraten, sie zum Laden von Batterien zu verwenden.
- Diese Module verfügen über werkseitig eingebaute Bypassdioden. Wenn diese Module falsch an einander angeschlossen werden, können die Bypassdioden, das Kabel oder der Anschlusskasten beschädigt werden.

- PV-Module dürfen unter bestimmten Bedingungen in Reihe oder parallel geschaltet werden, damit die Strom- und Spannungserzeugung wunschgemäß erfolgt. Verwenden Sie bei einem Mischsystem verschiedener Anbieter nur Module des gleichen Typs.
- Wenn die Module in Reihe geschaltet werden sollen, müssen sie für dieselbe Stromstärke ausgelegt sein.
- Wenn die Module parallel geschaltet werden sollen, müssen sie für dieselbe Spannung ausgelegt sein. Die Stringkonfiguration wird entsprechend den Anweisungen des Wechselrichter-Herstellers geplant und ausgeführt.
- Die an einen Wechselrichter angeschlossenen Module müssen so konfiguriert und von der Anzahl her begrenzt werden, dass die Maximalspannungen und Betriebsbereiche des Wechselrichters nicht überschritten werden. Die Stringkonfiguration ist so auszulegen, dass sie den Richtlinien des Wechselrichter-Herstellers entspricht.
- Sperrdioden verhindern einen Stromfluss von der Batterie zum Modul, solange kein Strom erzeugt wird. Es wird empfohlen, die Sperrdioden einzusetzen, wenn kein Laderegler verwendet wird.

## BETRIEBSBEDINGUNGEN

Alle Samsung-Module müssen unter den folgenden Einsatzbedingungen betrieben werden:

1. Nur terrestrische Anwendungen! Also kein Einsatz im Weltall oder unter Sonderbedingungen (siehe unten).
2. Die Umgebungstemperatur muss im Bereich von -40° C bis +90° C liegen.
3. The wind pressure load of the installation site should be less than 2400 Pascal.
4. Es können weitere Anforderungen an die Umgebungsbedingungen gestellt werden. Schlagen Sie hierzu in den Garantiebedingungen von Samsung nach.

## FELDANSCHLUSS

- Der Begriff „Feld“ bezeichnet eine Gruppe mehrerer miteinander auf einer Tragkonstruktion verbundener Module mit zugehörigen elektrischen Leitungen.
- Samsung empfiehlt alle Leitungen mit doppelter Isolierung zu versehen, die eine Mindesttemperaturfestigkeit von 90° C aufweist. Alle elektrischen Leitungen sind mit flexiblen Kupferkabeln auszuführen. Deren Mindestquerschnitt wird entsprechend den geltenden Gesetzen bestimmt.
- PV-Module dürfen in Reihe geschaltet werden, um die gewünschte Ausgangsspannung zu erzielen. Achten Sie darauf, dass dadurch die maximale Systemspannung nicht überschritten wird.
- PV-Module dürfen parallel geschaltet werden, um den gewünschten Ausgangsstrom zu erzielen. Beachten Sie die jeweiligen Anforderungen der geltenden regionalen und lokalen Vorschriften hinsichtlich der Anforderungen an zusätzliche Sicherungen sowie die Höchstzahl parallel geschalteter PV-Module.

## MODULTERMINIERUNG

- Der Anschlusskasten für die elektrischen Anschlüsse ist als Gehäuse für die Modultermiierung ausgelegt.

## ANSCHLUSSKASTEN UND KLEMMEN

- Die Anschlusskästen der Module befinden sich auf deren Rückseite.
- Jedes Modul ist mit einem Anschlusskasten ausgerüstet, in dem sich die Klemmen für den positiven und den negativen Pol befinden.
- Um fehlerfreien Betrieb der Module zu gewährleisten, ist beim Anschluss auf richtige Polung zu achten. Zu diesem Zweck sind die Symbole für die Polung in das Gehäuse des Anschlusskastens eingeprägt.

## DIODEN

- Wenn Schatten auf eine Zelle fällt, kann es dazu kommen, dass sich die Spannung umkehrt. In diesem Fall verbraucht diese Zelle den von anderen Zellen der Reihenschaltung erzeugten Strom und bewirkt eine unerwünschte Erwärmung der Zelle im Schatten.

- Ein Hotspot-Effekt tritt auf, wenn eine Solarzelle in einem Modul weniger Strom erzeugt als der Modulstring oder der PV-Generator.
- Dazu kommt es, wenn eine Zelle ganz oder teilweise verschattet oder beschädigt ist, oder wenn Zellen elektrisch nicht zueinander passen. Die Zellen im Schatten kehrt ihren Stromfluss um und gibt Energie in Form von Wärme ab. Durch den Einsatz von Schutz- bzw. Bypassdioden wird das Risiko der Aufheizung von Zellen im Schatten reduziert, da der Stromfluss in diesen Zellen begrenzt und dadurch das Brechen verhindert wird.
- Alle Module verfügen über werksseitig eingebaute Bypassdioden. Diese Dioden gewährleisten bei Systemen bis zur angegebenen Systemspannung den Schutz der Schaltungen, so dass Sie keine zusätzlichen Bypassdioden benötigen.
- Wenden Sie sich an Ihren offiziellen Vertreter von Samsung, um den korrekten Diodentyp zu erfragen, falls Sie Dioden aufgrund der Systemspezifikationen doch einmal hinzufügen oder tauschen müssen.

## wartung

Wenn Sie eine Inspektion der elektrischen oder mechanischen Einrichtungen bzw. eine Wartung benötigen, sollten Sie einen zugelassenen und dazu berechtigten Fachbetrieb mit den Arbeiten beauftragen, um die Gefahr eines elektrischen Schlags oder der Verletzung zu verhindern.

### EINE WARTUNG UMFASST DIE FOLGENDEN ARBEITEN:

- Regelmäßige Reinigung des Moduls
- Sichtprüfung auf mögliche interne Verschlechterung der Wasserabdichtung des Moduls
- Überprüfung des Zustands der elektrischen Verbindungen und Schaltungen
- Und schließlich Kontrolle der elektrischen Eigenschaften des Moduls

### REGELMÄSSIGE REINIGUNG DES MODULS

- Schmutz auf den Moduloberflächen verursacht Zellabtönung und kann zu geringerer Ausgangsleistung führen.
- Es wird empfohlen, die Moduloberfläche mindestens zweimal pro Jahr mit Wasser und einem weichen Tuch oder Schwamm zu reinigen.
- Unter keinen Umständen darf trockener Schmutz von den Modulen abgeschabt oder abgerieben werden, da dies Mikrokratzer auf der Moduloberfläche verursachen und die Transparenz des Modulglases reduzieren kann. Stattdessen kann für hartnäckigen Schmutz ein sanftes, scheuermittelfreies Reinigungsmittel verwendet werden.

## hinweise zur entsorgung

Bei der Entsorgung dieses Geräts sind alle relevanten Gesetze und Bestimmungen des jeweiligen Landes, Bundeslands oder Kreises zu beachten. Die Entsorgung dieses Geräts liegt in der alleinigen Verantwortung des Kunden.

Wenden Sie sich an Ihren örtlichen Samsung-Vertreter, um Informationen zur ordnungsgemäßen Entsorgung des Geräts zu erhalten.



Die Rückgabe von Modulen an Samsung ist nur möglich, wenn Samsung dem vorher schriftlich zugestimmt hat.

### SICHTPRÜFUNG DES MODULS

- Möglicher Glasbruch
- Alle Befestigungen fest, dicht und frei von Korrosion.
- Alle elektrischen Verbindungen fest, dicht, sauber und frei von Korrosion.
- Alle Kabel mechanisch unbeschädigt.
- Alle Verbindungspunkte zur Erdung sind fest, dicht und von Korrosion frei, um die Stromverbindung zwischen den Modulen und der Erde sicherzustellen.

### KONTROLLE DER ANSCHLÜSSE UND SCHALTUNGEN

- Die elektrischen und mechanischen Verbindungen sollten alle 6 Monate vorbeugend kontrolliert werden.
- Sitz und Zustand der Terminierungen für die Verbindungskabel des Moduls überprüfen.
- Wasserdichtigkeit des Anschlusskastens überprüfen.

# informazioni generali sulla sicurezza

Prima di installare il prodotto, tutte le istruzioni di sicurezza fornite in questo documento devono essere lette e comprese.

Prima di installare i moduli, contattare le autorità competenti per ottenere i necessari permessi e determinare i requisiti di installazione e ispezione da osservare. Fare riferimento alle normative e ai regolamenti in vigore nella località di installazione.



## PERICOLO!

I cavi di collegamento del modulo sono attraversati direttamente da corrente continua (CC) e, quando il modulo è sotto carico ed esposto alla luce, sono sotto tensione.

**La corrente diretta può generare archi elettrici con conseguente rischio di infortuni anche letali in caso di collegamento o scollegamento errato, oppure in caso di contatto con moduli usurati o danneggiati.** Non collegare o scollegare i moduli in presenza di corrente generata dai moduli stessi o da una fonte esterna.

**L'installazione deve essere effettuata solo da personale autorizzato.**

L'installazione di un sistema FV richiede competenze specifiche, soprattutto l'installazione e il cablaggio dei moduli FV. Il lavoro deve essere svolto esclusivamente da personale qualificato e autorizzato.

## PER EVITARE IL RISCHIO DI SCINTILLE, SCOSSE ELETTRICHE, INCENDI, USTIONI, DANNI E INFORTUNI

- Tenere bambini e animali lontani dal luogo di installazione durante lo svolgimento dei lavori.
- Evitare scariche elettriche durante l'installazione, il cablaggio, l'avviamento o la manutenzione del modulo.
- Quando il modulo è esposto alla luce solare, o ad altre fonti di luce, genera elettricità. Coprire completamente le superfici del modulo con materiale opaco prima di collegare o scollegare un cavo elettrico.
- Non installare o manipolare i moduli o gli utensili con le mani bagnate o in condizioni di vento forte.
- Non installare i moduli in presenza di gas o vapori infiammabili poiché i moduli possono generare scintille.
- Rimuovere tutta la bigiotteria in metallo prima di installare il prodotto, in modo da ridurre il rischio di esposizione accidentale a circuiti sotto tensione.
- Indossare abbigliamento adatto, dispositivi di protezione e guanti per evitare il contatto diretto con una tensione di 30 VCC o superiore.
- Utilizzare dispositivi isolanti per ridurre il rischio di scosse elettriche.
- Il modulo non contiene parti riparabili dall'utente. Non tentare di riparare alcuna parte del modulo.
- Non stare in piedi sui moduli, non farli cadere, graffiarli o far cadere oggetti sopra di essi.
- Se il vetro anteriore è rotto oppure il foglio posteriore è strappato, il contatto con le superfici o con i telai del modulo può causare scosse elettriche. Non forare, tagliare, graffiare o danneggiare il vetro o il foglio posteriore di un modulo. Il danneggiamento del foglio posteriore rende nulla la garanzia del modulo e può provocare un incendio. Non utilizzare mai il modulo se il foglio posteriore è danneggiato.

- Scatole di derivazione e/o connettori danneggiati costituiscono un rischio elettrico e possono causare lacerazioni.
- Il rivenditore o gli installatori devono rimuovere il modulo dal campo fotovoltaico e contattare il produttore per istruzioni sullo smaltimento. Non lasciare mai un modulo non adeguatamente fissato o senza supporto.
- Non concentrare artificialmente la luce solare su un modulo.
- Non toccare i morsetti delle scatole di derivazione.
- Non modificare il cablaggio dei diodi di bypass.
- Se si utilizzano delle batterie insieme al modulo, seguire tutte le istruzioni di sicurezza fornite dal costruttore della batteria.
- I moduli devono essere completamente collegati a terra.
- In caso di installazione su un tetto, assicurarsi che i moduli siano fissati per mezzo di dispositivi meccanici. Il tetto deve avere un grado di resistenza al fuoco adatto a questo tipo di applicazione.
- Per eventuali lavori di manutenzione, contattare il fornitore del modulo.



## ATTENZIONE!

Utilizzare il modulo per l'uso per il quale è stato concepito.

**Non trattare il foglio posteriore, il telaio o le superfici anteriori con vernici o adesivi che potrebbero ridurre l'efficienza, causare danni, guasti o altri problemi non noti.**



# disimballaggio e stoccaggio dei moduli

## INFORMAZIONI GENERALI

Osservare le avvertenze e le istruzioni presenti sull'imballaggio. Registrare il numero di serie del modulo prima di installarlo e includerlo nella documentazione del sistema. I moduli Samsung vengono inviati in scatole di imballaggio appositamente concepite per fornire una adeguata protezione durante il trasporto. Si consiglia di non rimuovere i moduli dalle scatole di imballaggio fino al momento dell'installazione. Se necessario, stoccare temporaneamente i moduli, riporli in un locale asciutto e adeguatamente ventilato.

### I moduli devono essere manipolati con attenzione

**Durante il disimballaggio, il trasporto o lo stoccaggio dei moduli, osservare le seguenti precauzioni:**

- Indossare guanti antiscivolo e trasportare il modulo afferrandolo per il telaio. Il trasporto deve essere effettuato da due o più persone.
- I moduli devono essere trasportati utilizzando entrambe le mani. NON utilizzare la scatola di derivazione come punto di presa.
- Durante il trasporto, fare attenzione a che i moduli non cedano o si pieghino sotto il loro stesso peso.
- Non appoggiare pesi sui moduli e non sottoporli a urti. Non camminare sopra i moduli e non farli cadere.
- Tutti i contatti elettrici devono essere mantenuti puliti e asciutti.

## installazione

### INSTALLAZIONE MECCANICA

- I moduli devono essere fissati saldamente utilizzando telai di supporto o kit di montaggio concepiti appositamente per le applicazioni FV.
- I moduli devono essere fissati saldamente in modo da resistere a tutti i carichi prevedibili, compreso il vento e le forti nevicate.
- Installare i moduli in una posizione nella quale non siano messi in ombra da ostacoli quali edifici o alberi. Evitare in particolare che i moduli siano messi parzialmente in ombra durante le ore diurne.
- Evitare gli angoli poco inclinati, i quali potrebbero causare l'accumulo di sporizia sul vetro contro il bordo del telaio.
- La quantità di spazio tra la superficie del tetto e il telaio del modulo deve essere tale da consentire all'aria di raffreddamento di circolare intorno alla parte posteriore del modulo. In questo modo si permette anche l'evaporazione della condensa o dell'umidità. Installare i moduli in modo da consentire la circolazione dell'aria tra il tetto e il modulo (almeno 100 mm di spazio).
- Per evitare l'infiltrazione di acqua nella scatola di derivazione, che potrebbe costituire un rischio per la sicurezza, i moduli devono essere montati in modo che le superfici in vetro non siano rivolte verso il basso (ad esempio su un inseguitore solare che, quando inattivo, orienta i moduli con la scatola di derivazione rivolta verso il cielo).
- Prestare molta attenzione ad evitare la corrosione causata dai dispositivi di messa a terra.
- Nei punti esposti all'umidità, non utilizzare metalli (da soli o in combinazione) che potrebbero deteriorarsi o corrodersi. Tutti i dispositivi di fissaggio (dadi, bulloni, rondelle, viti, ecc.) devono essere in acciaio inossidabile, se non altrimenti specificato.
- Per i requisiti di messa a terra dei campi fotovoltaici e dei relativi telai di montaggio, fare riferimento alle normative e ai regolamenti regionali e locali in vigore nella località di installazione (ad esempio, protezione dai fulmini). Negli Stati Uniti, i campi fotovoltaici devono essere collegati a terra in modo conforme alla norma NEC Articolo 250.
- La lunghezza della vite o del bullone autofilettante deve essere inferiore a 20 mm, per evitare che venga a contatto con il foglio posteriore del modulo.

- Valore di coppia del bullone consigliata: da 16N.m a 20N.m.
- Se è necessario utilizzare profili per il montaggio dei moduli FV, contattare un rappresentante autorizzato per richiedere informazioni.

### MESSA A TERRA

- Collegare un conduttore di messa a terra a uno dei due fori di messa a terra contrassegnati dal simbolo Ø4 sul telaio del modulo utilizzando dispositivi di fissaggio in acciaio inossidabile. Se si utilizza una vite autoperforante per il collegamento di messa a terra del telaio, avendo il conduttore di messa a terra dell'apparecchiatura un diametro maggiore di 5,5 mm (#10 AWG), è necessario utilizzare un morsetto di messa a terra. In caso di requisiti speciali, consultare la normativa NEC Articolo 690 sulla messa a terra dei campi FV.
- I moduli possono essere collegati a terra anche per mezzo di sistemi a rondelle o pinze prodotti da terzi, a patto che siano stati collaudati su telai in alluminio e dichiarati conformi **alle normative locali**. I sistemi di messa a terra devono essere sempre installati seguendo le istruzioni del costruttore.
- Se si utilizza il metodo di messa a terra sopra indicato, scegliere uno dei due fori di messa a terra (Figura 2) e fissare i dispositivi di messa a terra nella sequenza sopra indicata per mezzo di utensili appropriati, come ad esempio chiavi, pinze o altro.

### MONTAGGIO

- Always follow the mounting equipment vendors' installation instructions in addition to these instructions. In cases where the vendors' instructions are more stringent than those of Samsung, the vendors' instruction shall apply.

## 1 - Morsetti o pinze a pressione:

Effettuare il montaggio con le pinze sul telaio laterale del modulo. I telai laterali sono fissati ai lati lunghi del modulo. La linea centrale delle pinze deve essere a una distanza compresa tra 6" (152,4 mm) e 15" (381 mm) dall'estremità del lato del telaio. Gli installatori devono verificare che la potenza delle morse sia conforme alle specifiche tecniche del modulo.

Le morse in metallo devono essere conformi alle seguenti specifiche:

Dimensioni	Spessore	Materiale
Non meno di 38 mm di larghezza	Non meno di 3 mm	Lega di alluminio

## 2 - Fori del telaio:

Fissare il modulo alla struttura utilizzando i fori di montaggio predefiniti (Figura 3). Per ogni modulo si consiglia di utilizzare quattro bulloni in acciaio inossidabile da 1/4" con dadi, rondelle e rondelle di sicurezza.

## INSTALLAZIONE ELETTRICA

- In condizioni normali, durante l'uso di un modulo fotovoltaico è probabile che si verifichino situazioni nelle quali questo produce più corrente e/o tensione rispetto ai collaudi standard. Di conseguenza, nel determinare la tensione nominale dei componenti, la portata dei conduttori, le dimensioni dei fusibili e le dimensioni dei controlli collegati all'uscita PV (FV), i valori ISC e VOC indicati sul modulo devono essere moltiplicati per un fattore di 1,25.
- I moduli non devono essere configurati in modo da generare una tensione superiore alla tensione massima consentita.
- Seguire scrupolosamente i regolamenti e i codici elettrici nazionali.

## cablaggio

## INFORMAZIONI GENERALI

- Tutti i cablaggi devono essere eseguiti nel rispetto dei codici elettrici vigenti.
- I cablaggi devono essere effettuati da un elettricista qualificato.
- I cablaggi devono essere protetti, in modo da evitare il rischio di infortuni e danneggiamenti.
- Tutti i moduli collegati in serie devono essere dello stesso tipo e/o modello.

## CABLAGGIO DEI MODULI

- Verificare le condizioni di temperatura locali e seguire il Codice elettrico nazionale (per es. NEC 690.7 per gli USA, DIN VDE 0100 Teil 712 per la Germania) per garantire la conformità con i limiti di tensione massimi.
- I moduli non sono concepiti per l'uso con sistemi "off-grid" o di ricarica delle batterie a causa della loro tensione operativa. Di conseguenza, si consiglia di non utilizzarli per la ricarica di batterie.
- I moduli contengono diodi di bypass installati in fabbrica. Se i moduli vengono collegati erroneamente l'uno con l'altro, i diodi di bypass, i cavi o la scatola di derivazione potrebbero subire danni.

- Per ottenere la potenza elettrica desiderata, i moduli FV possono essere collegati in serie o in parallelo, a patto che siano rispettate determinate condizioni. In un circuito combinato, utilizzare solo lo stesso tipo di moduli.
- Se i moduli devono essere collegati in serie, devono avere lo stesso amperaggio.
- Se devono essere collegati in parallelo, devono avere la stessa tensione. La configurazione della stringa deve essere pianificata ed eseguita secondo le istruzioni fornite dal costruttore dell'inverter.
- Il numero di moduli collegati a un inverter deve essere incluso nel campo operativo/limiti di tensione dell'inverter, mentre la struttura di configurazione delle stringhe deve essere conforme alle istruzioni fornite dal costruttore dell'inverter.
- I diodi di blocco impediscono alla corrente di fluire dalla batteria al modulo quando non viene generata elettricità. In mancanza di un regolatore di carica, si consiglia di utilizzare sempre i diodi di blocco.

## CONDIZIONI DI FUNZIONAMENTO

Tutti i moduli Samsung devono essere utilizzati nel rispetto delle seguenti condizioni di funzionamento:

1. Solo applicazioni terrestri – nessuno spazio esterno o condizioni speciali (vedere oltre).
2. La temperatura ambiente deve essere compresa tra -40 e +90°C.
3. La pressione del vento sul punto di installazione deve essere inferiore a 2400 Pascal /m<sup>2</sup>.
4. Può rendersi necessario prendere in considerazione anche alcune condizioni di tipo ambientale. Si prega di consultare le esclusioni di garanzia di Samsung.

## CABLAGGIO DEL CAMPO FOTOVOLTAICO

- Il termine "campo fotovoltaico" indica l'insieme di più moduli fissati a una struttura di supporto e i relativi cablaggi.
- Si raccomanda di utilizzare cablaggi a doppio isolamento con un valore minimo di 90 °C (194 °F). Tutti i cavi devono essere muniti di conduttori in rame (Cu) flessibili. Le dimensioni minime dipendono dalle normative in vigore nella località di installazione.
- I moduli FV possono essere cablati in serie in modo da generare la quantità di tensione desiderata. Non superare la tensione massima del sistema.
- I moduli FV possono essere cablati in parallelo in modo da generare la quantità di corrente desiderata. Per informazioni sui requisiti dei fusibili e sul numero massimo di moduli FV collegabili in parallelo, consultare le normative locali e regionali in vigore nella località di installazione.

## TERMINALI DEI MODULI

- Una scatola di derivazione è una cabina dotata di morsetti per i collegamenti elettrici.

## SCATOLA DI DERIVAZIONE E TERMINALI

- Le scatole di derivazione dei moduli sono situate sul retro dei moduli.
- Ogni modulo è dotato di una scatola di derivazione che contiene i terminali positivi e negativi, oltre ai diodi di bypass.
- Quando si effettuano i collegamenti, è indispensabile rispettare le polarità utilizzando come riferimento i simboli incisi sul corpo della scatola di derivazione. In caso contrario, i moduli potrebbero non funzionare correttamente.

## DIODI

- La messa in ombra di una cella può causare un deficit di tensione. La cella consuma quindi la potenza generata dalle altre celle della serie producendo un riscaldamento indesiderato della cella in ombra.

- L'effetto di surriscaldamento locale si produce quando una cella solare all'interno di un modulo genera meno corrente della stringa del modulo o del generatore FV. Ciò si verifica quando la cella è interamente o parzialmente in ombra, è danneggiata o quando le celle hanno amperaggi diversi. La cella in ombra diventa a bias inverso e dissipa energia in forma di calore.
- L'uso di protezioni o diodi di bypass riduce il rischio di surriscaldamento delle celle in ombra limitando la quantità di corrente che circola al loro interno ed evitando il rischio di rotture.
- Tutti i moduli sono muniti di diodi di bypass installati in fabbrica. Questi diodi forniscono un'adeguata protezione ai sistemi che operano entro i limiti di tensione specificati. Di conseguenza, non è necessario installare altri diodi di bypass.
- Se è necessario aggiungere o sostituire i diodi a causa delle specifiche del sistema, si prega di contattare il rappresentante autorizzato Samsung per richiedere informazioni sul tipo di diodi appropriato.

## manutenzione

Qualora fosse necessario eseguire un'ispezione meccanica o lavori di manutenzione, rivolgersi a un professionista qualificato in modo da evitare il rischio di scosse elettriche o infortuni.

### LA MANUTENZIONE COPRE LE SEGUENTI ATTIVITÀ:

- Pulizia periodica del modulo.
- Ispezione visiva per verificare l'eventuale usura interna della tenuta stagna del modulo.
- Controllo dei collegamenti e dei cablaggi elettrici.
- Controllo delle caratteristiche elettriche del modulo.

### PULIZIA PERIODICA DEL MODULO

- La sporcizia accumulata sulle superfici del modulo può mettere in ombra la cella causando una riduzione della potenza generata.
- Si consiglia di pulire le superfici del modulo con acqua e una spugna o un panno morbido almeno due o più volte all'anno.
- Non strofinare o grattare il modulo quando è asciutto poiché ciò potrebbe causare micro scalfitture sulla superficie riducendo la trasparenza del vetro. Per pulire lo sporco più resistente, utilizzare un detergente delicato non abrasivo.

### ISPEZIONE VISIVA DEL MODULO

- Possibili crepe nel vetro.
- Tutti i dispositivi di fissaggio devono essere saldamente fissati, serrati e senza segni di corrosione.
- Tutti i collegamenti elettrici devono essere saldamente fissati, serrati e senza segni di corrosione.
- L'integrità meccanica dei cavi deve essere intatta.
- Tutti i punti di collegamento della messa a terra devono essere saldamente fissati, serrati e senza segni di corrosione, in modo da garantire la continuità tra i moduli e il terreno.

### CONTROLLO DEI COLLEGAMENTI E DEI CABLAGGI

- I collegamenti elettrici e meccanici devono essere sottoposti a un'ispezione preventiva ogni 6 mesi.
- Controllare il fissaggio e lo stato dei terminali dei cavi di collegamento dei moduli.
- Controllare la tenuta stagna delle scatole di derivazione.

## smaltimento

Questo prodotto deve essere smaltito nel rispetto di tutte le normative e leggi federali, statali e locali. Il cliente ha la responsabilità di assicurare il corretto smaltimento del prodotto.

Per informazioni sul corretto smaltimento del prodotto, contattare il rappresentante locale Samsung.



**La restituzione dei moduli è possibile solo previa autorizzazione scritta di Samsung.**

# informations générales relatives à la sécurité

Toutes les instructions de sécurité de ce document doivent être lues et comprises avant de procéder à l'installation de cet appareil.

L'installation d'un système photovoltaïque requiert des connaissances spécifiques, particulièrement en ce qui concerne l'installation et le câblage des modules photovoltaïques. Cette tâche doit impérativement être effectuée par des personnes qualifiées et agréées.



## **DANGER!**

Les câbles d'interconnexion du module transmettent du courant continu (CC) et sont sous tension lorsque le module est en charge et lorsqu'il est exposé à la lumière.

**Des arcs électriques peuvent se former et causer des blessures graves, voire mortelles, si des branchements/débranchements incorrects sont effectués ou en cas de contact avec des modules endommagés.** Ne branchez/débranchez pas les modules lorsque le courant des modules ou d'une source externe est encore présent.

**L'installation doit impérativement être effectuée par du personnel agréé.**

Avant l'installation des modules, contactez les autorités concernées pour vous informer sur les autorisations et les exigences d'installation et d'inspection à suivre. Reportez-vous aux réglementations régionales et locales.

## **POUR ÉVITER LES RISQUES D'ÉTINCELLES OU DE CHOCS ÉLECTRIQUES, D'INCENDIE, DE BRÛLURES, DE DÉGÂTS ET DE BLESSURES**

- Les animaux et les enfants ne doivent pas s'approcher de l'installation lorsque des travaux sont effectués.
- Évitez les décharges électriques lors de l'installation, du câblage, du démarrage ou de l'entretien du module.
- Un module génère de l'électricité lorsqu'il est exposé à la lumière du soleil ou à d'autres sources de lumière. Recouvrez entièrement la surface du module à l'aide d'un matériau opaque avant d'effectuer ou de couper des connexions électriques.
- Ne manipulez pas et n'installez pas les modules ou des outils lorsqu'ils sont humides, ou par vent fort.
- Les modules pouvant produire des étincelles, ne les installez pas à proximité de gaz ou de vapeurs inflammables.
- Retirez tout bijou métallique avant d'installer ce produit afin de réduire le risque de contact accidentel avec des circuits sous tension.
- Munissez-vous de vêtements, de protections et de gants adaptés afin d'éviter tout contact direct avec 30 V c.c. voire plus.
- Utilisez des outils isolés pour réduire le risque de choc électrique.
- Aucun élément du module n'est réparable par l'utilisateur. Ne tentez pas de réparer les éléments du module.
- Ne marchez pas sur le module. Ne jetez rien dessus, ne faites pas tomber d'objet sur le module et ne le rayez pas.
- Si le verre recouvrant le module est brisé, ou que le revêtement arrière est arraché, tout contact avec la surface ou le cadre du module peut entraîner un choc électrique. Il ne faut pas percer, couper, rayer ou détériorer le verre ou le revêtement arrière d'un module. Une détérioration du revêtement arrière annule la garantie limitée et peut entraîner un incendie. N'utilisez pas de modules dont le revêtement arrière est endommagé.

- Des boîtes de jonction et/ou des connecteurs abîmés constituent des dangers électriques et des risques de coupures profondes. Le distributeur ou les installateurs doivent retirer le module du générateur et contacter le fournisseur pour obtenir des instructions de mise au rebut du matériel.
- Assurez-vous que les modules sont toujours fixés et maintenus en place.
- N'utilisez aucun dispositif permettant de concentrer la lumière solaire sur un module.
- Ne touchez pas aux bornes de la boîte de jonction.
- Ne modifiez pas le câblage des diodes de dérivation.
- Si des batteries sont utilisées avec le module, suivez toutes les recommandations de sécurité fournies par le fabricant de la batterie.
- Raccordez à la terre tous les modules.
- Si le module est installé sur un toit, assurez-vous qu'il est maintenu par des fixations mécaniques. Pour pouvoir procéder à l'installation, le toit doit avoir un niveau de résistance au feu adéquat.
- Contactez le fournisseur de votre module le cas échéant.



## **ATTENTION!**

N'utilisez le module que dans le cadre de l'usage prévu. N'appliquez pas de peinture ou d'adhésif sur le revêtement arrière, le cadre ou la surface avant. Cela pourrait réduire l'efficacité du module, l'endommager, le rendre inutilisable et entraîner d'autres problèmes.

# désemballage et entreposage des modules

## GÉNÉRALITÉS

Les avertissements et les instructions placés sur l'emballage doivent être suivis. Les numéros de série des modules doivent être relevés et notés dans la documentation du système avant d'effectuer l'installation. Les modules Samsung sont expédiés dans des boîtes spécialement conçues pour les protéger efficacement durant le transport. Il est conseillé de ne pas retirer les modules de leur emballage avant l'installation. Si vous devez entreposer les modules temporairement, placez-les dans un endroit sec et bien ventilé.

### Les modules doivent être manipulés avec soin

Les instructions suivantes concernant le désemballage, le transport et l'entreposage des modules doivent être respectées :

- Les modules doivent être transportés par au moins deux personnes, munies de gants antidérapants.
- Les modules doivent être portés à deux mains et la boîte de jonction ne doit PAS être utilisée comme prise.
- Les modules ne doivent pas se tordre ou se déformer sous leur propre poids lorsqu'ils sont transportés.
- Les modules ne doivent pas subir de tension ou de pression. Ne marchez pas sur les modules et ne les faites pas tomber.
- Tous les contacts électriques doivent être propres et protégés de l'humidité.

## installation

### INSTALLATION MÉCANIQUE

- Les modules doivent être solidement fixés à l'aide de cadres de support ou de kits de fixation destinés aux modules photovoltaïques.
- Les modules doivent être fixés solidement et de manière à éviter toute pression, y compris le vent et la neige.
- Installez les modules dans un emplacement non ombragé (évités les ombres d'arbres ou de bâtiments par exemple). Assurez-vous qu'aucun obstacle ne masque la lumière durant la journée.
- Si l'angle d'inclinaison est trop faible, une accumulation de saleté peut apparaître sur les bords de la plaque de verre. Veillez donc à ce que l'angle soit adéquat.
- La surface du toit et le cadre du module doivent être séparés d'un espace permettant à l'air de circuler autour du module pour le refroidir. Cet espacement permet aussi d'empêcher la présence de condensation ou de moisissure. Installez les modules de façon à ce que l'air puisse circuler entre le toit et le module (espace de 100 mm, soit 4 pouces au minimum).
- Pour protéger la boîte de jonction de l'humidité (la présence d'eau pourrait présenter un risque), les modules ne doivent pas être orientés vers le bas (par exemple sur un suiveur de trajectoire orientant la boîte de jonction vers le ciel en mode veille).
- Vous devez vous assurer scrupuleusement que les dispositifs de mise à la terre n'entraînent pas de corrosion.
- Les métaux utilisés à des emplacements exposés à la moisissure ne doivent pas être employés dans des conditions pouvant entraîner leur détérioration ou leur corrosion. Toutes les fixations (écrous, boulons, rondelles, vis, etc.) doivent donc être en acier inoxydable, sauf instruction contraire.
- Reportez-vous aux instructions locales et régionales concernant la mise à la terre de générateurs photovoltaïques et des supports de montage pour connaître les exigences spécifiques. (par exemple, au niveau de la protection contre la foudre). Aux États-Unis, le cadre du générateur doit être mis à la terre en conformité avec l'article 250 du NEC (National Electrical Code).
- La longueur des vis autotaraudeuses ou des boulons ne doit pas dépasser 0,78 pouces (20 mm) pour éviter que ces éléments ne rentrent en contact avec le revêtement arrière du module.
- Plage de couple conseillée pour les boulons : de 16 Nm à 20 Nm.

- Contactez un représentant agréé si vous avez des questions concernant les profils de fixation des modules.

### MISE À LA TERRE

- Fixez un conducteur de mise à la terre, avec des éléments de fixation en acier inoxydable, à l'un des deux orifices de mise à la terre Ø4 du cadre du module. Si vous avez besoin d'un conducteur de mise à la terre d'un diamètre supérieur à 5,5 mm (#10 AWG) et si vous utilisez des vis autoperceuses, l'installation d'un crochet de fixation de mise à la terre est nécessaire pour relier le cadre à la terre. Reportez-vous à l'article 690 du NEC sur les générateurs photovoltaïques pour connaître les exigences particulières.
- Les modules peuvent être mis à la terre grâce à des rondelles ou des étriers provenant de tiers, à condition que ces éléments aient été testés sur un cadre en aluminium anodisé, soient conformes **aux réglementations locales** et soient installés selon les instructions du fabricant.
- Si vous utilisez la méthode de mise à la terre ci-dessus, veuillez utiliser l'un des deux orifices de mise à la terre (Figure 2) et le matériel de mise à la terre avec les outils appropriés (clé, étriers ou autres), afin de mettre à la terre les câbles selon la séquence ci-dessus.

### FIXATION

- En plus de ces instructions, veuillez à suivre les instructions d'installation du dispositif de fixation. Si les instructions fournies par le fournisseur du dispositif de fixation sont plus restrictives que les instructions de Samsung, suivez-les.

## 1 - Colliers de serrage ou étriers :

Fixez le module avec les étriers sur le cadre latéral du module. Les cadres latéraux sont fixés aux côtés plus longs du module. L'axe des étriers doit être situé entre 6 pouces (152,4 mm) et 15 pouces (381 mm) de l'extrémité du cadre latéral. Les installateurs doivent s'assurer que les colliers de serrage sont suffisamment résistants pour supporter la pression de service maximale du module.

Le collier de serrage doit satisfaire les conditions suivantes :

Taille	Épaisseur	Matériau
largeur d'au moins 1,5 pouce (38 mm)	au moins 0,12 pouce (3 mm)	alliage d'aluminium

## 2 - Orifices du cadre :

Fixez le module sur la structure en utilisant les orifices de fixation présents sur le cadre du module (Figure 3). Il est conseillé d'utiliser quatre boulons 1/4 pouce en acier inoxydable, ainsi que des écrous et des rondelles freins sur chaque module.

## INSTALLATION ÉLECTRIQUE

- Dans des conditions d'utilisation normales, il est probable qu'un module photovoltaïque produise plus de courant et/ou de tension qu'indiqué dans les conditions de test standardisées. En conséquence, les valeurs ISC et VOC indiquées doivent être multipliées par 1,25 lors du choix des valeurs de tension des composants, du courant admissible des conducteurs, de la taille des fusibles ainsi que celle des dispositifs de contrôle de sortie du module photovoltaïque.
- Les modules doivent être réglés de façon à ne pas générer une tension supérieure à la tension du système autorisée.
- Les réglementations nationales concernant les installations électriques doivent être respectées scrupuleusement.

## câblage

### GÉNÉRALITÉS

- Tout câblage doit être effectué conformément aux réglementations électriques en vigueur.
- Le câblage doit être effectué par un professionnel qualifié titulaire d'une autorisation.
- Les câbles doivent être protégés, pour garantir la sécurité et empêcher tout dégât.
- Tous les modules branchés en série doivent être du même modèle et/ou du même type.

### CÂBLAGE DU MODULE

- Vérifiez les conditions locales de température et suivez le NEC (National Electric Code) (NEC 690.7 pour les Etats-Unis, DIN VDE 0100 Teil 712 pour l'Allemagne) pour vous assurer que l'installation est conforme aux limites de tension maximale.
- Les modules ne sont pas conçus pour être utilisés en « autoproduction » ou avec des systèmes de charge de batteries, en raison de leur tension de fonctionnement. Il est donc déconseillé de les utiliser pour charger des batteries.
- Ces modules contiennent des diodes de dérivation installées en usine. Si les branchements reliant les modules sont incorrects, les diodes de dérivation, les câbles, ou la boîte de jonction peuvent être endommagés.

- Les modules photovoltaïques doivent être branchés en série ou en parallèle pour fournir la quantité d'électricité souhaitée, tant que les conditions nécessaires sont remplies. Utilisez le même type de modules dans un circuit combinant plusieurs sources.
- Si les modules sont branchés en série, ils doivent avoir le même ampérage.
- S'ils sont branchés en parallèle, ils doivent disposer de la même tension. La configuration des strings doit être planifiée et effectuée en accord avec les instructions du fabricant de l'onduleur.
- Le nombre de modules branchés à l'onduleur doit respecter les limites de tension et la plage de fonctionnement de l'onduleur, et les instructions du fabricant de l'onduleur doivent être observées pour élaborer et installer les strings.
- Les diodes de blocage empêchent la circulation du courant entre la batterie et le module lorsqu'aucune électricité n'est générée. Si aucun régulateur de charge n'est utilisé, il est conseillé d'utiliser des diodes de blocage.

## CONDITIONS DE FONCTIONNEMENT

Tous les modules Samsung doivent être utilisés dans le respect des conditions de fonctionnement suivantes :

1. Utilisation terrestre seulement : pas d'utilisation extra-atmosphérique ou dans des conditions particulières (voir ci-dessous)
2. La température ambiante doit être comprise entre -40 °C (-40 °F) et +90 °C (194 °F).
3. La pression du vent sur le site de l'installation doit être inférieure à 2 400 pascal/m<sup>2</sup>.
4. D'autres conditions ambiantes peuvent s'appliquer. Reportez-vous aux exclusions de garantie Samsung.

### CÂBLAGE DU GÉNÉRATEUR

- Le terme « générateur » est utilisé pour décrire un ensemble de modules installés sur une structure, ainsi que l'ensemble du câblage.
- Samsung recommande d'installer une double isolation résistante à 90 °C (194 °F). Tous les conducteurs constituant le câblage doivent être en cuivre flexible (Cu). La taille minimale doit être déterminée selon les réglementations en vigueur.
- Les modules photovoltaïques peuvent être câblés en série pour produire la tension de sortie désirée. Veillez à ne pas dépasser la tension maximale du système.
- Les modules photovoltaïques peuvent être câblés en parallèle pour produire le courant de sortie désiré. Reportez-vous aux réglementations régionales et locales en vigueur pour connaître les exigences supplémentaires en ce qui concerne les fusibles et les limitations du nombre maximal de modules photovoltaïques en parallèle.

### EXTRÉMITÉS DU MODULE

- Pour effectuer vos branchements électriques, utilisez la boîte de jonction servant de coffret pour les bornes.

## BOÎTE DE JONCTION ET BORNES

- Les boîtes de jonction sont situées à l'arrière des modules.
- Chaque module est équipé d'une boîte de jonction contenant les bornes (positives et négatives) et les diodes de dérivation.
- Lors des branchements, la polarité (dont les symboles sont indiqués sur la boîte de jonction) doit être respectée, pour assurer un fonctionnement correct des modules.

## DIODES

- Si une cellule ne reçoit plus de lumière, il est possible que sa tension augmente. En effet, la cellule va consommer l'énergie produite par les autres cellules branchées en série et ainsi anormalement augmenter en température.
- Un phénomène appelé « effet hot spot » se produit lorsqu'une cellule solaire d'un module génère moins de courant que le courant de faisceau du module ou du générateur photovoltaïque. Cela se produit lorsque la cellule est masquée ou endommagée, en tout ou partie, ou lorsque des cellules n'ont pas de correspondance électrique. La cellule masquée change de polarité et dissipe l'énergie sous forme de chaleur.
- L'utilisation de diodes de protection ou de diodes de dérivation réduit le risque d'échauffement des cellules ne recevant pas de lumière. Elles limitent la quantité de courant passant dans ces cellules pour éviter la panne.
- Tous les modules sont équipés de diodes de dérivation installées en usine. Ces diodes protègent le circuit et sont adaptées à la tension des systèmes, de façon à ce que vous n'avez pas à utiliser de diodes de dérivation supplémentaires.
- Contactez votre représentant agréé Samsung pour connaître le type de diode approprié s'il est nécessaire d'ajouter ou de remplacer des diodes selon les spécifications du système.

## entretien

Si votre système requiert une inspection ou un entretien (mécanique ou électrique), il est recommandé de faire appel à un professionnel titulaire d'une autorisation pour effectuer ces opérations, ceci afin d'éviter tout choc électrique ou blessure.

### L'ENTRETIEN CONCERNE LES PROCESSUS SUIVANTS :

- Nettoyage régulier du module
- Inspection visuelle en quête d'éventuelles détériorations internes affectant l'étanchéité du module
- Contrôle de l'état des branchements électriques et du câblage
- Contrôle des caractéristiques électriques du module

### NETTOYAGE RÉGULIER DU MODULE

- La saleté présente sur les surfaces du module masque la lumière et peut réduire la quantité d'énergie produite.
- Il est conseillé de nettoyer la surface du module à l'aide d'eau et d'une éponge ou d'un chiffon doux au moins deux fois par an.
- En aucun cas vous ne devez tenter de retirer la saleté des modules lorsque ces derniers sont secs. En effet, tout frottement peut entraîner la présence de micro-rayures sur la surface des modules et ainsi réduire la transparence du verre. Utilisez un détergent non abrasif pour retirer la saleté restante.

## mise au rebut

La mise au rebut de ce produit doit respecter les réglementations et les lois locales, de l'État et fédérales en vigueur. Le client est responsable de la mise au rebut de ce produit et doit s'assurer que cette dernière est effectuée convenablement.

Veuillez contacter votre représentant Samsung pour obtenir des informations concernant la mise au rebut correcte de ce produit.



**Samsung n'accepte aucun renvoi de modules, à l'exception des renvois autorisés au préalable par Samsung.**

### INSPECTION VISUELLE DU MODULE

- Éventuelles fissures du verre
- Fixations solides et absence de corrosion
- Branchements électriques fixés solidement, propres et sans corrosion
- Bonne intégrité mécanique des câbles
- Liaisons à la terre fixées solidement, sans corrosion afin d'assurer une bonne continuité entre les modules et la terre

### CONTRÔLE DES RACCORDEMENTS ET DU CÂBLAGE

- Les connexions électriques et mécaniques sont soumises à une inspection préventive tous les 6 mois.
- Vérification des fixations et de l'état des bornes des câbles de raccordement du module
- Vérification de l'étanchéité de la boîte à bornes

# información general de seguridad

Antes de instalar este dispositivo lea con atención todas las instrucciones de seguridad de este documento.

La instalación de un sistema fotovoltaico exige conocimientos especializados, en particular para la instalación y el cableado de los módulos. Este trabajo lo debe realizar personal adecuadamente cualificado y autorizado.



## PELIGRO

Por los cables de interconexión del módulo pasa una corriente continua (CC) y hay fuentes de voltaje cuando el módulo está en carga y cuando está expuesto a la luz.

**La corriente continua puede formar arcos en las separaciones y puede causar lesiones o la muerte si se realiza una conexión o desconexión incorrecta o si se hace contacto con conductores de los módulos que estén deshilachados o rasgados.** No conecte ni desconecte los módulos si hay corriente que provenga de los módulos o de una fuente externa.

**La instalación sólo la debe realizar personal autorizado.**

Antes de instalar los módulos, debe ponerse en contacto con los organismos adecuados para determinar los permisos y los requisitos de instalación e inspección que se han de seguir. Consulte la normativa local y regional aplicable.

## PARA EVITAR EL RIESGO DE CHISPAS O DESCARGAS ELÉCTRICAS, INCENDIO, QUEMADURAS, DAÑOS O LESIONES

- Mientras trabaje en la instalación mantenga alejados a los niños y animales.
- Evite las descargas eléctricas durante la instalación, el cableado y la puesta en marcha de los módulos o cuando realice tareas de mantenimiento.
- Un módulo genera electricidad cuando está expuesto a la luz solar o a otras fuentes de iluminación. Cubra completamente la superficie del módulo con un material opaco antes de realizar o interrumpir las conexiones eléctricas.
- No instale ni manipule los módulos ni las herramientas si están húmedos o durante periodos de vientos fuertes.
- No instale el módulo donde haya vapores o gases inflamables ya que se pueden originar chispas.
- Despójese de cualquier artículo metálico antes de instalar el producto para reducir el riesgo de accidentes derivados de los circuitos activos.
- Póngase ropa, protecciones y guantes adecuados para evitar que pueda entrar en contacto directo con 30 VDC o más.
- Utilice herramientas aisladas eléctricamente para reducir el riesgo de descargas eléctricas.
- En el módulo no hay piezas que el usuario pueda reparar. No intente reparar ninguna pieza del módulo.
- No se suba sobre los módulos, no los deje caer, los raye o permita que ningún objeto caiga sobre ellos.
- Si se rompe el vidrio frontal o se desprende la lámina posterior, cualquier contacto con la superficie o el armazón del módulo puede originar una descarga eléctrica. No perforo, corte, raye ni dañe el vidrio ni la lámina posterior de un módulo. Un daño en la lámina posterior anulará la garantía limitada del módulo y puede originar un incendio. Nunca utilice módulos cuya lámina posterior esté dañada.

- Las cajas de conexiones y los conectores rotos representan un riesgo eléctrico y pueden causar heridas cortantes, por lo que el usuario debe contactar con su proveedor o instalador para que retiren el módulo de su bastidor y se pongan en contacto con su distribuidor, para proceder a su eliminación.
- Nunca deje un módulo sin apoyos y sin asegurar.
- No concentre artificialmente la luz solar sobre un módulo.
- No toque los terminales de la caja de conexiones.
- No cambie el cableado de los diodos de derivación.
- Si en un módulo se utilizan baterías, siga las recomendaciones de seguridad del fabricante de las baterías.
- Todos los módulos han de estar conectados a tierra.
- Si el módulo se instala en el tejado, asegúrese de que esté asegurado con fijaciones mecánicas. El tejado debe tener un nivel de resistencia al fuego adecuado para la aplicación.
- Si es necesario realizar tareas de mantenimiento, póngase en contacto con el proveedor del módulo.



## PRECAUCIONES

Utilice el módulo sólo para el propósito previsto.

**No trate la lámina posterior, el armazón ni la superficie frontal con pinturas o adhesivos a fin de evitar la reducción de sus prestaciones, que aparezcan daños u otros problemas desconocidos y hacerlos impracticables.**



# desembalaje y almacenamiento de los módulos

## GENERAL

Se deben observar las advertencias e instrucciones que figuran en el embalaje. Antes de la instalación se deben anotar los números de serie del módulo y se deben guardar con la documentación del sistema. Los módulos de Samsung se envían en cajas diseñadas especialmente que proporcionan la protección adecuada durante el transporte. Es aconsejable no sacar los módulos de las cajas hasta el momento de la instalación. Si es necesario almacenar los módulos temporalmente, debe hacerse en un espacio sin humedad y debidamente ventilado.

### Los módulos se deben manipular con cuidado

**Al desembalar, transportar o almacenar los módulos se han de observar los siguientes puntos:**

- Se han de llevar guantes antideslizantes y transportar el módulo entre dos o más personas sujetándolo por el armazón.
- Los módulos se han de transportar sujetándolos con ambas manos; la caja de conexiones NO se debe utilizar como asa.
- No se ha de permitir que los módulos se comben o se arqueen por su propio peso durante el transporte.
- Los módulos no deben someterse a cargas ni tensiones; no deben pisarse ni dejarse caer.
- Todos los contactos eléctricos han de mantenerse limpios y secos.

## instalación

### INSTALACIÓN MECÁNICA

- Los módulos se han de asegurar con bastidores de apoyo o kits de montaje especiales para aparatos fotovoltaicos.
- Los módulos se deben fijar firmemente en su lugar de manera que puedan soportar todas las cargas previstas, incluidas las originadas por el viento y la nieve.
- No instale los módulos donde haya obstáculos como edificios o árboles que les hagan sombra. Preste una atención especial para evitar que los módulos queden a la sombra durante el día.
- Debe evitar los ángulos de inclinación bajos que provocan que la suciedad se incruste en el borde del armazón del vidrio.
- La distancia entre la superficie del tejado y el armazón del módulo debe permitir que circule aire de refrigeración por la parte posterior del módulo. Esto permitirá también que se disipe la condensación y la humedad. Instale el módulo de modo que el aire pueda circular entre el tejado y el módulo. (mantenga una distancia de separación mínima de 11 cm)
- Para impedir que penetre agua en la caja de conexiones, lo que representaría un riesgo para la seguridad, no se deben instalar los módulos con el vidrio frontal cara abajo (por ejemplo, en una estructura de rastreo solar que coloque los módulos con la caja de conexiones mirando hacia el cielo durante el modo de reposo).
- Se ha de tener un especial cuidado para asegurar que no se produzca corrosión derivada de la base de la instalación.
- Los materiales metálicos utilizados en lugares expuestos a la humedad no se han de utilizar solos o conjuntamente con otros que puedan dar lugar a su degradación o corrosión. Así pues, todas las fijaciones (tuercas, pernos, arandelas, tornillos, etc.) deben ser de acero inoxidable a menos que se especifique lo contrario.
- Consulte la normativa local y regional relativa a los bastidores fotovoltaicos sobre la conexión a tierra y de montaje para conocer los requisitos específicos. (por ejemplo, la protección contra los rayos). En EE.UU. el armazón del bastidor debe estar conectado a tierra según el Artículo 250 de la norma NEC.
- La longitud del tornillo autorroscante o del perno no debe ser superior a 0,78" (20 mm) para evitar el contacto con la lámina posterior del módulo.

- Recomendaciones para el rango de torsión del perno: 16 N.m hasta 20 N.m.
- Póngase en contacto con el organismo autorizado para las cuestiones relativas a los perfiles de montaje de los módulos, si es necesario.

### CONEXIÓN A TIERRA

- Monte un conductor de conexión a tierra del equipo con componentes de acero inoxidable en uno de los dos orificios de conexión a tierra indicados como Ø4 en el armazón del módulo. Si se necesita un conductor de conexión a tierra del equipo de un diámetro superior a 5,5 mm (AWG n.º 10), será necesario un terminal de inserción de conexión a tierra, cuando se utilice un tornillo de autopercusión para realizar la conexión a tierra del armazón. Consulte el Artículo 690 de la norma NEC y la normativa local y regional, para conocer los requisitos específicos para las matrices fotovoltaicas de conexión a tierra.
- Los módulos se pueden conectar a tierra mediante una arandela de conexión a tierra o unos sistemas de fijación de terceros, siempre que hayan sido probados y certificados por las reglamentaciones locales en un bastidor de aluminio anodizado y que se instalen de acuerdo con las instrucciones del fabricante.
- Si se ha adoptado el método de conexión a tierra anterior, elija uno de los dos orificios de conexión a tierra (figura 2) y utilice los componentes de conexión a tierra con las herramientas apropiadas, como una llave inglesa, grapas u otras para conectar a tierra los cables de acuerdo con la secuencia de componentes anterior.

### MONTAJE

- Siga siempre las instrucciones de instalación de los distribuidores del equipo de montaje además de las instrucciones presentes. Siga las instrucciones del distribuidor si son más estrictas que las de Samsung.

## 1 - Abrazaderas o grapas de presión:

Monte el módulo con las grapas en el armazón lateral del módulo. Los armazones laterales se fijan en los lados más largos del módulo. La línea central de la grapa debe estar entre 6" (152 mm) y 15" (381 mm) apartada del extremo del armazón lateral. Los instaladores deben asegurar que las grapas sean lo bastante fuertes para permitir la presión de diseño máxima del módulo.

La abrazadera metálica debe cumplir las siguientes especificaciones:

Tamaño	Grosor	Material
No menos de 1,5" (38 mm) de ancho	No menos de 0,12" (3 mm)	Aleación de aluminio

## 2 - Orificios del armazón:

Asegure el módulo a la estructura mediante los orificios de montaje de fábrica (figura 3). Se recomiendan cuatro tornillos de acero inoxidable de 1/4", con arandelas de tuercas y de bloqueo, por módulo

## INSTALACIÓN ELÉCTRICA

- En condiciones normales, es probable que un módulo fotovoltaico produzca más corriente o voltaje al referido en las condiciones de prueba normales. Consecuentemente, los valores de ISC y VOC marcados para este módulo se deben multiplicar por un factor de 1,25 para determinar el voltaje nominal de los componentes, las ampacidades de los conductores, los tamaños de los fusibles y el tamaño de los controles conectados a la salida fotovoltaica.
- Los módulos no se han de configurar de manera que puedan crear un voltaje superior al permitido por el sistema de voltaje.

## cableado

### GENERAL

- Todo el cableado debe cumplir con las normativas eléctricas aplicables.
- Todo el cableado lo debe realizar un profesional cualificado, certificado e inscrito, como tal, en el ministerio de Industria.
- El cableado debe estar protegido para ayudar a garantizar la seguridad de las personas y prevenir daños.
- Todos los módulos conectados en serie deben ser del mismo tipo y/o número de modelo.

### CABLEADO DEL MÓDULO

- Compruebe las condiciones de temperatura locales y siga la normativa eléctrica nacional (por ej. NEC 690.7 para EEUU, DIN VDE 0100 Teil 712 para Alemania) para asegurarse de que se cumplen las limitaciones máximas de voltaje.
- Los módulos no están diseñados para sistemas de carga de batería o autónomos debido a su voltaje de funcionamiento. Por ello, no es recomendable utilizarlos para cargar baterías.
- Estos módulos incluyen diodos de derivación instalados de fábrica. Si estos módulos se conectan incorrectamente unos con otros, se pueden dañar los diodos de derivación, el cable o la caja de conexiones.

- Las normativas y las regulaciones eléctricas nacionales, locales y regionales se deben cumplir estrictamente.
- Los módulos fotovoltaicos se pueden conectar en serie o en paralelo para conseguir la salida eléctrica deseada siempre que se cumplan ciertas condiciones. En un circuito fuente combinado utilice sólo el mismo tipo de módulos.
- Si los módulos se conectan conjuntamente en serie deben ser del mismo amperaje.
- Si se conectan en paralelo deben tener el mismo voltaje. La configuración de la secuencia se debe planificar y ejecutar en concordancia con las instrucciones del fabricante del invertidor.
- El número de módulos conectados a un invertidor debe estar entre los límites del voltaje/rango de funcionamiento del invertidor y el diseño de la configuración de la secuencia debe cumplir las instrucciones del fabricante del invertidor.
- Los diodos de bloqueo impiden el paso de corriente desde la batería hasta el módulo cuando no se genera electricidad. Es aconsejable utilizar diodos de bloqueo cuando no se utiliza un regulador de carga.

## CONDICIONES DE FUNCIONAMIENTO

Todos los módulos de Samsung requieren las siguientes condiciones de funcionamiento:

- Sólo aplicaciones terrestres; ni del espacio exterior ni condiciones especiales (ver a continuación)
- La temperatura ambiente debe estar entre -40 °C (-40 °F) y +90 °C (194 °F).
- La carga de presión del viento del emplazamiento de la instalación debe ser inferior a 2400 pascal /m<sup>2</sup>.
- Se pueden aplicar algunas condiciones medioambientales. Consulte las exclusiones de la garantía de Samsung.

### CABLEADO DEL BASTIDOR

- El término "bastidor" se utiliza para describir el montaje de varios módulos en una estructura de apoyo con cableado asociado.
- Samsung recomienda que todo el cableado sea de doble aislamiento con una temperatura mínima de 90 °C (194 °F). Todo el cableado debe utilizar conductores flexibles de cobre (Cu). El diámetro mínimo debe ser el especificado por la reglamentación correspondiente.
- Los módulos fotovoltaicos se deben cablear en serie para producir la salida de voltaje deseada. No se debe superar el voltaje de sistema máximo.
- Los módulos fotovoltaicos se pueden cablear en paralelo para producir la salida de corriente deseada. Consulte la reglamentación local o regional correspondiente para saber los requisitos de fusibles adicionales y las limitaciones en el número máximo de módulos fotovoltaicos en paralelo.

### TERMINACIONES DEL MÓDULO

- Hay una caja de conexiones, a modo de regleta, para las conexiones eléctricas.

## CAJA DE CONEXIONES Y TERMINALES

- Las cajas de conexiones de los módulos están en la parte posterior de éstos.
- Cada módulo está equipado con una caja de conexiones que incluye terminales para la polaridad positiva y negativa y diodos de derivación.
- Se debe respetar la polaridad de las conexiones para asegurar un funcionamiento correcto de los módulos; los símbolos de la polaridad están grabados en el cuerpo de la caja de conexiones.

## DIODOS

- Si se hace sombra sobre una célula se puede provocar un voltaje de reserva en ésta. Esta célula por consiguiente consumirá la potencia generada por otras células de la serie, lo que originará un calentamiento no deseado de la célula en sombra.

- Se produce el efecto denominado punto caliente cuando una célula solar del interior de un módulo genera menos corriente que la corriente de secuencia del módulo o del generador fotovoltaico. Esto ocurre cuando la célula se encuentra total o parcialmente a la sombra, está dañada o si las células no coinciden eléctricamente. La célula en sombra adquiere una polarización inversa y la potencia se disipa en forma de calor.
- El uso de los diodos de protección, o de derivación, reduce el riesgo de calentamiento de las células en sombra, ya que limita la corriente que puede circular a través de ellas y evita las roturas.
- Todos los módulos están equipados con diodos de derivación instalados en fábrica. Estos diodos proporcionan una protección del circuito adecuada para los sistemas dentro de un voltaje del sistema especificado, de manera que no se necesitan otros diodos de derivación adicionales.
- Póngase en contacto con un representante autorizado de Samsung para conocer el tipo de diodo adecuado, si es necesario añadir o cambiar los diodos por especificaciones del sistema.

## mantenimiento

Se necesita una supervisión y un mantenimiento tanto mecánico como eléctrico, es recomendable acudir a un profesional certificado e inscrito, como tal, en el ministerio de Industria, para que realice el servicio a fin de evitar riesgos de descargas eléctricas o lesiones.

### PROCESOS DEL MANTENIMIENTO:

- Limpieza periódica del módulo
- Inspección visual de un posible deterioro interno y de la estanqueidad del módulo
- Control del cableado y de las conexiones eléctricas
- Eventualmente, control de las características eléctricas del módulo

### LIMPIEZA PERIÓDICA DEL MÓDULO

- La suciedad de las superficies del módulo causa que las células queden en sombra y puede reducir la potencia de salida.
- Es recomendable limpiar la superficie del módulo con agua y un paño suave o una esponja, dos o más veces por año.
- Bajo ninguna circunstancia se debe rascar o frotar la suciedad seca de los módulos ya que ello podría originar microrrayaduras en la superficie del módulo y reducir la transparencia del vidrio del módulo. Se puede aplicar un detergente suave no abrasivo para eliminar la suciedad persistente.

### INSPECCIÓN VISUAL DEL MÓDULO

- Posibles roturas en el vidrio
- Fijaciones seguras, ajustadas y sin corrosión
- Conexiones eléctricas seguras, ajustadas, limpias y sin corrosión
- Integridad mecánica intacta de los cables
- Puntos de las conexiones a tierra ajustados, seguros y sin corrosión para asegurar la continuidad entre los módulos y la conexión a tierra

### CONTROL DE LAS CONEXIONES Y EL CABLEADO

- Las conexiones eléctricas y mecánicas se deben inspeccionar cada 6 meses a modo preventivo
- Se debe comprobar la fijación y el estado de los terminales de los cables de conexión del módulo
- Se debe comprobar la estanqueidad de la caja de conexiones

## observaciones sobre la eliminación

Este producto se debe desechar de acuerdo con las normativas y regulaciones locales y nacionales. Es responsabilidad del cliente asegurar que este producto se elimine adecuadamente.

Puede ponerse en contacto con el representante local de Samsung en relación con la eliminación correcta de este producto.



**Samsung no aceptará la devolución de ningún módulo a menos que lo haya autorizado previamente por escrito.**

