

Standard PV Module

AJP-S572

**5" Single-crystalline
silicon photovoltaic Module**
Glass-Foil-Laminate with Aluminum Frame

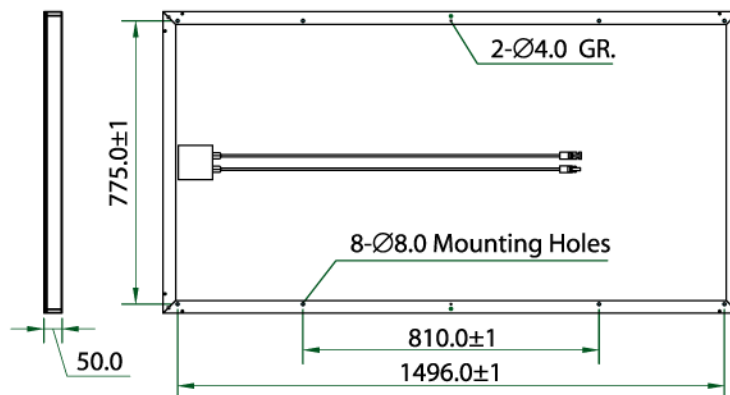
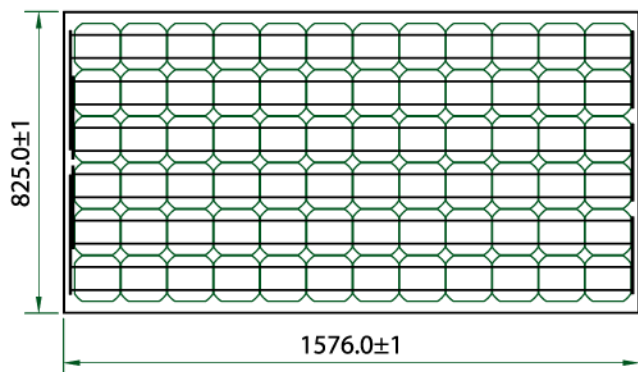


• Periodic Inspection
• Qualified, IEC 61215
• Safety tested, IEC 61730

SPECIFICATION

| Type of Module | S572 | | | | | | | |
|--|------------------------------|--|-------|------------|-------|-------|-------|-------|
| Maximum Power (TOL.±3%) | W | 195 | 190 | 185 | 180 | 175 | 170 | 165 |
| Maximum Power Voltage | V | 37.87 | 36.86 | 36.79 | 36.72 | 36.63 | 36.43 | 36.14 |
| Maximum Power Current | A | 5.15 | 5.15 | 5.03 | 4.9 | 4.78 | 4.67 | 4.57 |
| Open circuit Voltage | V | 44.74 | 44.21 | 44.14 | 44.06 | 43.99 | 43.92 | 43.78 |
| Short circuit Current | A | 5.38 | 5.49 | 5.43 | 5.31 | 5.17 | 5.06 | 4.94 |
| Module Efficiency | % | 15.00 | 14.61 | 14.23 | 13.84 | 13.46 | 13.07 | 12.69 |
| No. and Type of Cells | pcs | 72 pcs Single-crystalline solar cells ; 125 x 125 mm | | | | | | |
| Maximum System Voltage | V | UL1703 : 600VDC & IEC61215 / IEC61730 : 1000 VDC | | | | | | |
| Junction Box | | IP 65 with 3 bypass diodes ; cables Ø4 mm ² | | | | | | |
| Serial Fuse Rating | A | 10A | | | | | | |
| Operating Temperature | °C | -40 to +85 | | | | | | |
| Mechanical Ratings | Pa | 2400 Pa | | | | | | |
| Dimensions | mm | 825 x 1576 x 50 | | | | | | |
| Weight | kg | 17 | | | | | | |
| STC : Irradiance level 1000 W/m ² ; Spectral AM 1.5 ; Cell temperature 25 °C | NOCT. 47± 2 °C | Temperature coefficient of Isc | | 0.04 %/°C | | | | |
| 10 years power 90% output warranty 25 years power 80% output warranty | Product guarantee of 5 years | Temperature coefficient of Voc | | -0.33 %/°C | | | | |
| | | Temperature coefficient of Pmax | | -0.37 %/°C | | | | |

OUTLINE DIMENSIONS



Specifications are subject to change without notice.



安集科技股份有限公司
ANJI TECHNOLOGY CO., LTD.

No. 21 Keji 5th Rd., Amma District, Tainan 709, Taiwan
TEL:+886-6-5105988 FAX:+886-6-5105989
http://www.anjitek.com Mail To:service@anjitek.com