

# SOLAR PANEL

## MP-200A SERIES

NINGBO MAXSOLAR CO.,LTD.

### Technical Data

MP-200A SERIES					
Polycrystalline cells	60				
Max system voltage	1000V				
<b>Electrical Data</b>					
Under STC (Standard Test Conditions:1000W/m <sup>2</sup> , 25°C, AM1.5)					
Maximum Power Output [Pmax]	200 Wp	210 Wp	220 Wp	230 Wp	240 Wp
Tolerance	+ /- 3%				
Maximum Power Voltage[Vmax]	28.74 V	29.24 V	29.28 V	29.94 V	30.5 V
Open Circuit Voltage [Voc]	36.66 V	36.6 V	36.36 V	36.9 V	37.09 V
Maximum Power Current [Imax]	6.95 A	7.18 A	7.52 A	7.68 A	7.87 A
Short Circuit Power Current[Isc]	7.79 A	7.92 A	8.24 A	8.27 A	8.4 A

#### Temperature data

Temperature coefficients of Pmax	-0.47%/°C
Temperature coefficients of Voc	-0.38%/°C
Temperature coefficients of Isc	+0.04%/°C

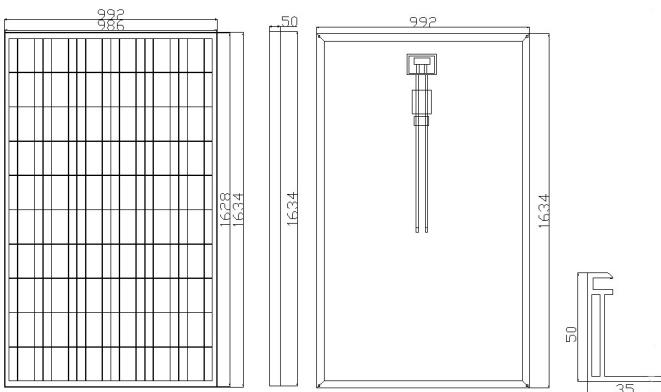
#### Safety data

High Voltage Test:	3000V DC/max, 50μA
Surface Maximum Load Capacity:	200kg/sq.m
Allowable hail load:	225mg steel ball fall down from 2m height

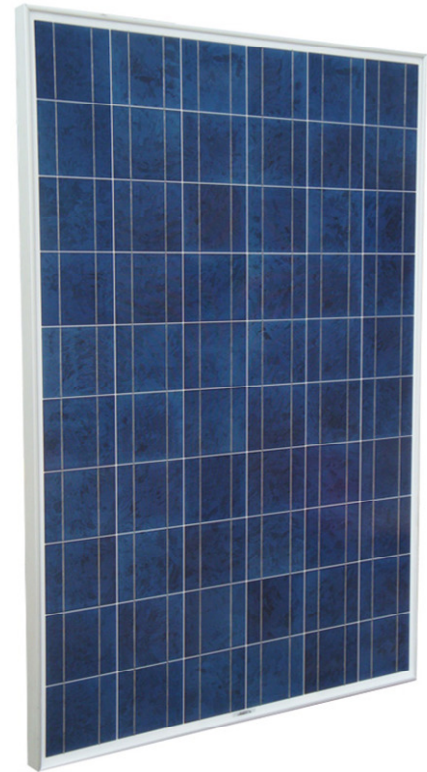
#### Mechanical data

Material	Aluminum
LXB[mm]	1634 x 992
Thickness[mm]	50
Weight[kg]	19

[Unit: mm]



Certificates



### Features & Benefits:

- High efficiency of cells;
- High transmittance, low iron tempered glass with enhanced stiffness and impact resistance;
- Anodized aluminum alloy frame with high mechanical strength for easy installation;
- Anti-aging EVA and high flame resistant back sheet, to provide long-life and enhanced cell performance;
- Outstanding electrical performance under high temperature and low irradiance conditions;
- ±3% tolerance;
- Test apply EL(electroluminescence) technology;
- Quality insurance by 6 different China Insurance companies;
- 5 years limited warranty, 10 years limited warranty for 90% power output, 25 years limited warranty for 25 years.

[www.makesen.com](http://www.makesen.com)