

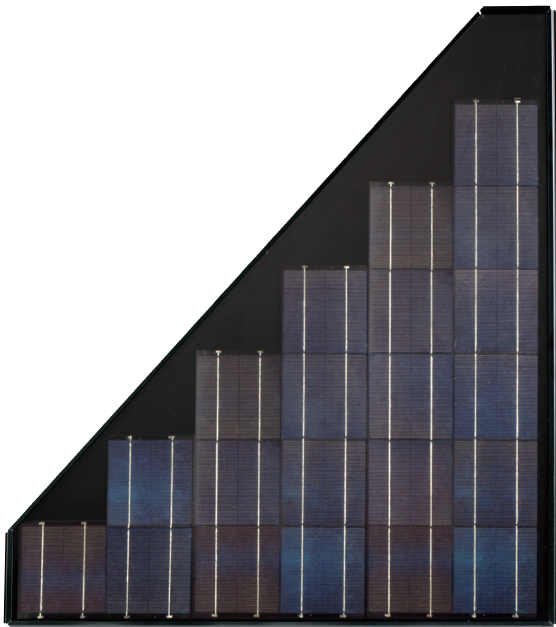
# SHARP®

solar electricity

## 72 WATT

OnEnergy™  
SYSTEM MODULE

NEC 2008 Compliant



ND-72ERUC/ND-72ELUC

RESIDENTIAL 72 WATT  
MODULE FROM THE WORLD'S  
TRUSTED SOURCE FOR SOLAR.

Designed to partner with the 142 watt module in the Sharp OnEnergy solar system, our exclusive triangular module sets a new standard in aesthetics for residential hip roofs and complex roof lines. Sharp's OnEnergy system replaces the bulky look of traditional solar roof mounts with a clean, elegant appearance that blends beautifully with rooflines. Using breakthrough technology, made possible by nearly 50 years of proprietary research and development, this module incorporates an advanced surface texturing process to increase light absorption and improve efficiency. Sharp is proud to offer innovative product choices that blend the power of solar electricity with the aesthetics of modern architecture.

### ENGINEERING EXCELLENCE

Designed for use with the 142 watt module and Sharp's OnEnergy solar racking system, this module is the perfect combination of technology and design.

### ADVANCED AESTHETICS

A Sharp exclusive, the triangular module sets a new standard in aesthetics for residential hip roofs and complex roof lines.

### DURABLE

Tempered glass, EVA lamination and weatherproof backskin provide long-life and enhanced cell performance.

### RELIABLE

25-year limited warranty on power output.

### HIGH PERFORMANCE

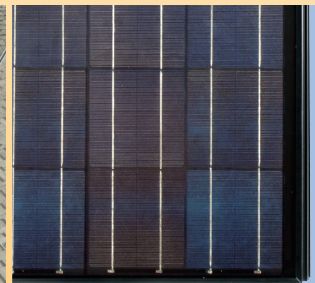
This module uses an advanced surface texturing process to increase light absorption and improve efficiency.

[ Designed for ]

**ONENERGY™**  
solar system by Sharp



Black frame and low profile racking complement roofline.



Laminated glass construction in a high torsion frame.

### SHARP: THE NAME TO TRUST

When you choose Sharp, you get more than well-engineered products. You also get Sharp's proven reliability, outstanding customer service and the assurance of our 25-year limited warranty on power output. A global leader in solar electricity, Sharp powers more homes and businesses than any other solar manufacturer worldwide.

**BECOME POWERFUL**

# 72 WATT

## ND-72ERUC/ND-72ELUC

NEC 2008 Compliant

Module output cables now 12 AWG with locking connectors

### ELECTRICAL CHARACTERISTICS

Maximum Power (Pmax)*	72 W
Tolerance of Pmax	+10%/-5%
Type of Cell	Polycrystalline silicon
Cell Configuration	21 in series
Open Circuit Voltage (Voc)	12.71 V
Maximum Power Voltage (Vpm)	10.03 V
Short Circuit Current (Isc)	7.89 A
Maximum Power Current (Ipm)	7.18 A
Maximum System (DC) Voltage	600 V
Series Fuse Rating	15 A
NOCT	47.5°C
Temperature Coefficient (Pmax)	-0.485%/°C
Temperature Coefficient (Voc)	-0.36%/°C
Temperature Coefficient (Isc)	0.053%/°C

\*Measured at (STC) Standard Test Conditions: 25°C, 1 kW/m<sup>2</sup> insolation, AM 1.5

### MECHANICAL CHARACTERISTICS

Dimensions (A x B x C below)	39.0" x 45.9" x 1.8"/990 x 1165 x 46 mm
Cable Length (O)	43.3"/1100 mm
Output Interconnect Cable**	12 AWG with MC4 Locking Connector
Weight	23.14 lbs / 10.5 kg
Max Load	50 psf (2400 Pascals)

\*\*A safety lock clip (Multi Contact part number PV-SSH4) may be required in readily accessible locations per NEC 2008 690.33 (C)

### QUALIFICATIONS

UL Listed	UL 1703
Fire Rating	Class C

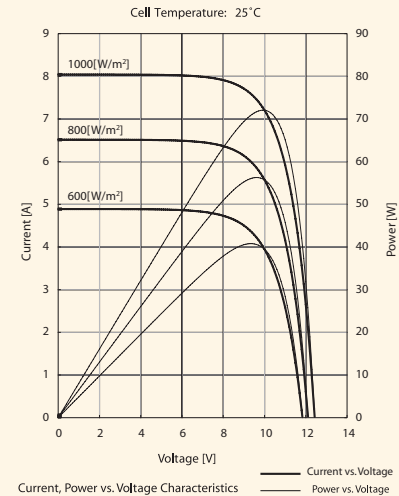


### WARRANTY

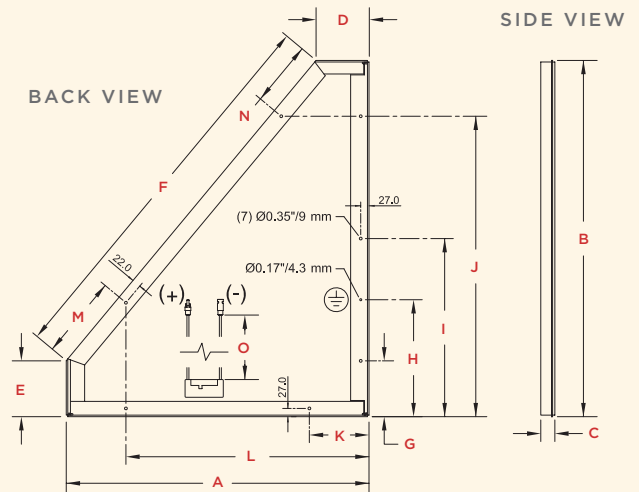
25-year limited warranty on power output  
Contact Sharp for complete warranty information

Design and specifications are subject to change without notice. Sharp is a registered trademark of Sharp Corporation. All other trademarks are property of their respective owners. OnEnergy and all related trademarks are trademarks or registered trademarks of Sharp Corporation and/or its affiliated companies. Contact Sharp to obtain the latest product manuals before using any Sharp device.

### IV CURVES



### DIMENSIONS



<b>A</b>	<b>B</b>	<b>C</b>	<b>D</b>	<b>E</b>
39.0"/990 mm	45.9"/1165 mm	1.8"/46 mm	6.8"/173 mm	7.2"/183 mm
<b>F</b>	<b>G</b>	<b>H</b>	<b>I</b>	<b>J</b>
50.3"/1278 mm	7.2"/183 mm	15.1"/383 mm	22.9"/583 mm	38.7"/983 mm
<b>K</b>	<b>L</b>	<b>M</b>	<b>N</b>	<b>O</b>
7.7"/195 mm	31.3"/795 mm	10.6"/271 mm	8.4"/213 mm	43.3"/1100 mm

Contact Sharp for tolerance specifications



SHARP ELECTRONICS CORPORATION  
5901 Bolsa Avenue, Huntington Beach, CA 92647  
1-800-SOLAR-06 • Email: [sharpsolar@sharpusa.com](mailto:sharpsolar@sharpusa.com)  
[www.sharpusa.com/solar](http://www.sharpusa.com/solar)